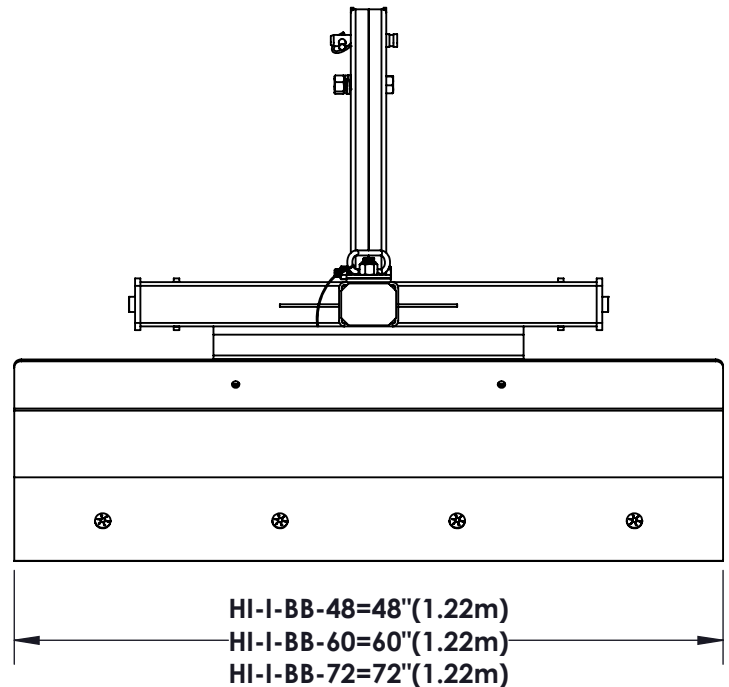
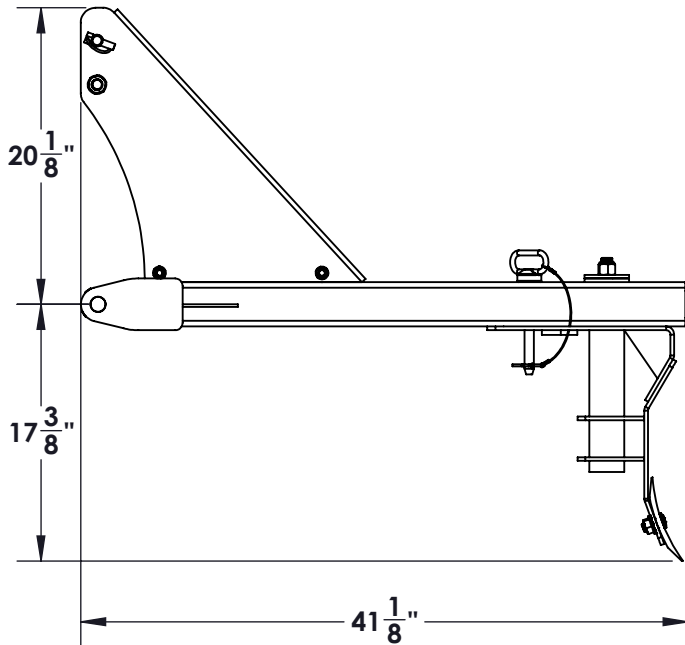


# Homestead Implements Independence Series Back Blade

## Technical Specification

Model Numbers	HI-I-BB-48	HI-I-BB-60	HI-I-BB-72
Working Width	48" (1.21m)	60" (1.52m)	72" (1.82m)
Height and Length	33.25" (0.84 m) height and 26.75" (0.68 m) length		
Weight	154 lbs (69.85 kg)	181 lbs (82.1 kg)	196 lbs (88.9 kg)
Pivot Joint	2 3/8" (6.0cm) OD Tube		
Blade Angle	Forward Position - 15°, 30° and 45° Clockwise and Counter-Clockwise Reverse Position - 15° and 30° Clockwise and Counter-Clockwise		
Moldboard	A-36 grade moldboard - 13 3/4" (34.93 cm) Height x 1/4" (6.3mm) Thick		
Number of Cutting Blades	1 Blade		
Cutting Blade Properties and Size	High-carbon steel, heat treated cutting edges 3/8" x 6" (9.53 mm x 152.4 mm)		
Cutting Blade Function	Reversible and Replaceable		
Maximum H.P. Rating	30 HP (22.37 kw)		
3-Point Hitch Type	Category 1 Quick-Hitch compatible, also equipped with 7/8" (2.2cm) lower hitch pins and 1.25" (3.1cm) upper hitch pin		



CUSTOMER APPROVAL :

DATE :



THIS DRAWING, WHICH CONTAINS PROPRIETARY INFORMATION, IS THE PROPERTY OF JAMESTOWN ADVANCED PRODUCTS CORPORATION. IT SHALL NOT BE REPRODUCED IN ANY MANNER NOR DISCLOSED TO THIRD PARTIES WITHOUT WRITTEN PERMISSION OF JAMESTOWN ADVANCED PRODUCTS CORPORATION.

DATE : 4/19/2022

PRODUCT PART NUMBER : HI-I-BB

REV. NO.

PRODUCT DESCRIPTION :  
INDEPENDENCE BACK BLADE

2855 GIRTS ROAD  
JAMESTOWN, NY 14701