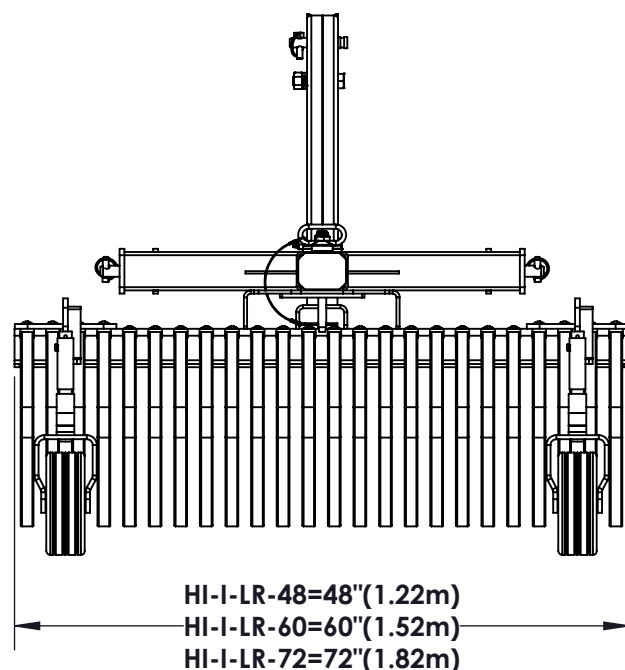
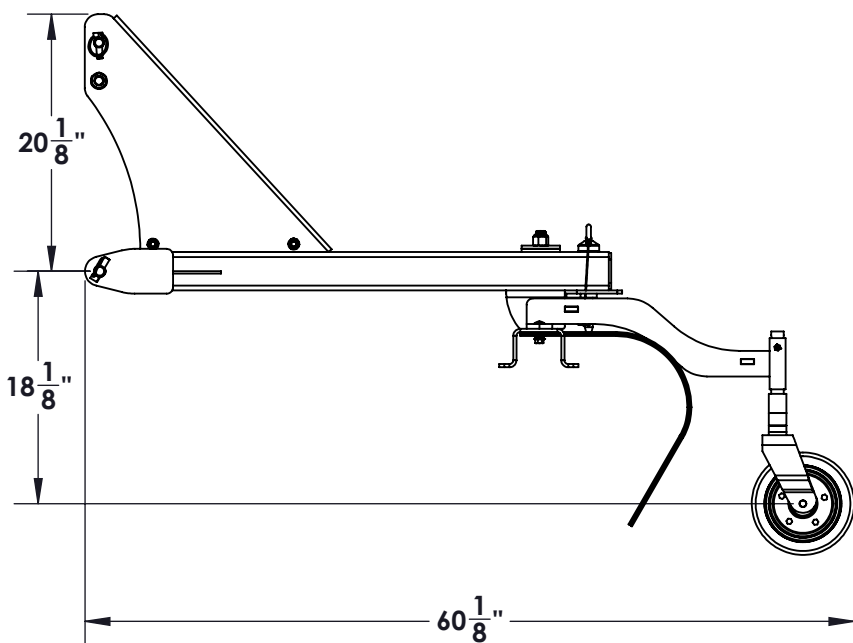


Homestead Implements Independence Series Landscape Rake

Technical Specification

Model Numbers	HI-I-LR-48	HI-I-LR-60	HI-I-LR-72
Working Width	48" (1.21m)	60" (1.52m)	72" (1.82m)
Height and Length	42.25"(1.07 m) height and 60.00"(1.52m) length		
Weight	165 lbs (74.84 kg)	196 lbs (89.9 kg)	220 lbs (99.8 kg)
Number of Teeth	24	30	36
Pivot Joint	2 3/8" (6.0cm) OD tube		
Rake Angle	Forward Position - 15°,30° and 45° Clockwise and Counter-Clockwise Reverse Position - 15° and 30° Clockwise and Counter-Clockwise		
Lift Mechanism	Lower lift arms 3/8"(12.7mm) plate mounted on 3" x 3" x 1/8" (7.6 cm x 7.6 cm x 3.18 mm) tube and upper lift arms equipped in 3/16" mounted plate		
Tooth Size	1"(25.4mm) Wide x 5/16" (7.9mm) Thick		
Tooth Position	1"(25.4mm) Apart		
Tooth Material	Quenched High-Carbon Spring Steel		
Tooth Replacement	Individual		
Maximum H.P. Rating	30 HP (22.37 kw)		
3-Point Hitch Type	Category 1 Quick-Hitch compatible, also equipped with 7/8"(2.2cm) lower hitch pins and 1.25"(3.1cm) upper hitch pin		



CUSTOMER APPROVAL :

DATE :



THIS DRAWING, WHICH CONTAINS PROPRIETARY INFORMATION, IS THE PROPERTY OF JAMESTOWN ADVANCED PRODUCTS CORPORATION. IT SHALL NOT BE REPRODUCED IN ANY MANNER NOR DISCLOSED TO THIRD PARTIES WITHOUT WRITTEN PERMISSION OF JAMESTOWN ADVANCED PRODUCTS CORPORATION.

DATE : 08/13/2022

PRODUCT PART NUMBER : HI-I-LR

REV. NO.

PRODUCT DESCRIPTION :
INDEPENDENCE-LANDSCAPE RAKE

2855 GIRTS ROAD
JAMESTOWN, NY 14701

Product Weight: 22lbs per side (44lbs Total)

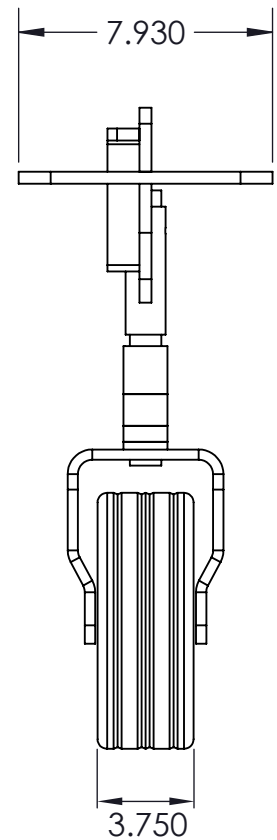
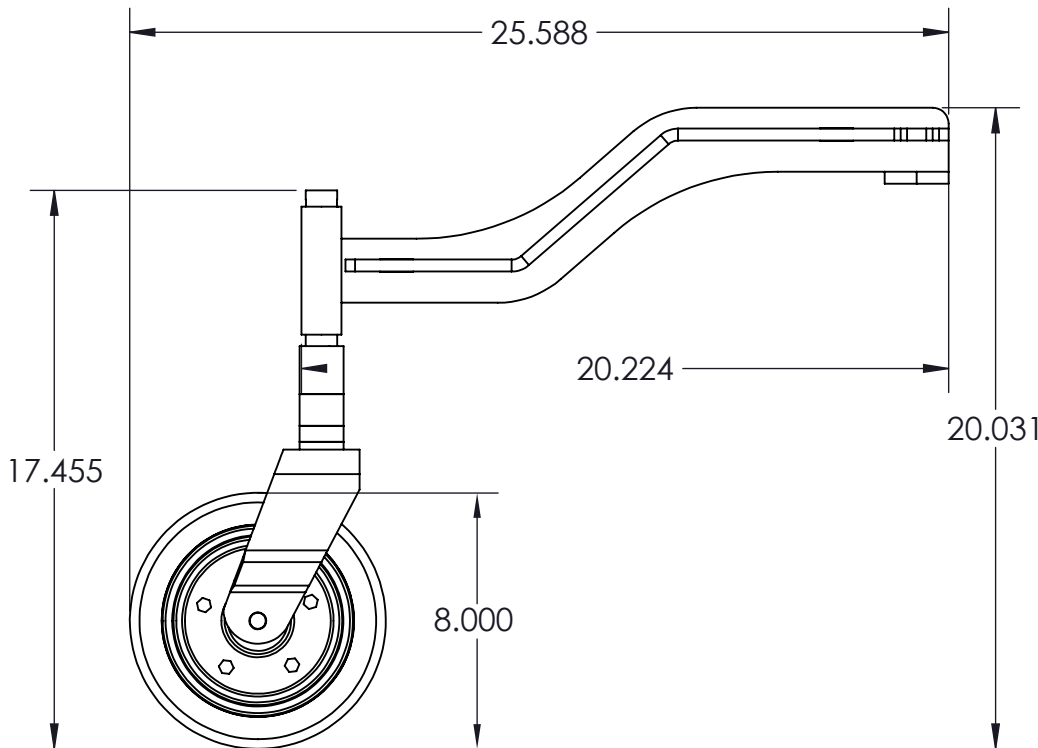
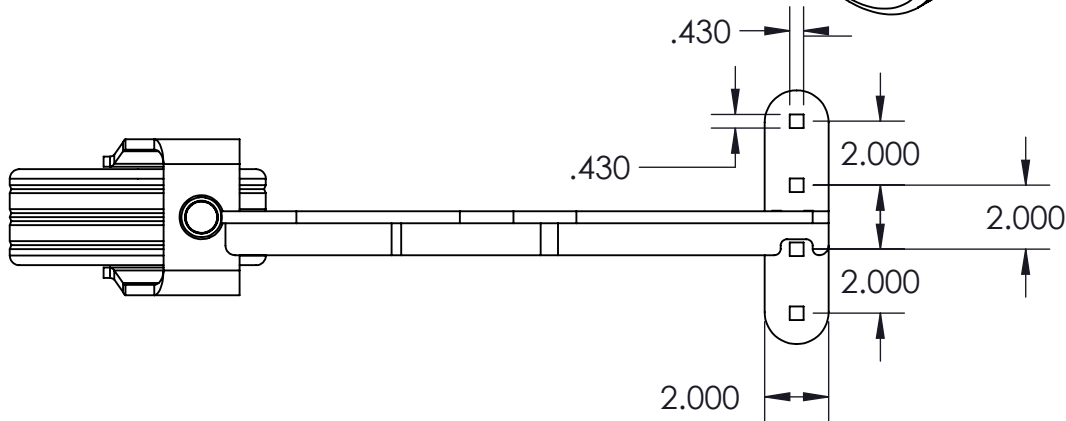
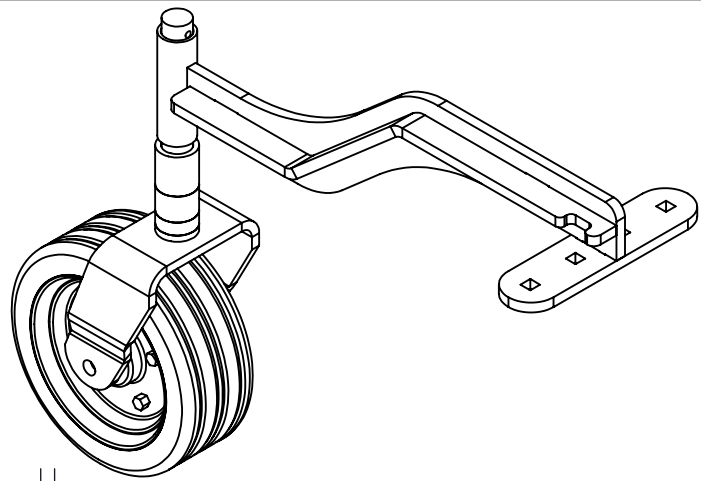
Packaging Size: 28" x 18" x 12"

Tire Width: 3 3/4"

Tire Height: 8"

Tire Material: Solid Rubber

Grease Zerks: 1 Per Side



THIS DRAWING, WHICH CONTAINS PROPRIETARY INFORMATION, IS THE PROPERTY OF JAMESTOWN ADVANCED PRODUCTS CORPORATION. IT SHALL NOT BE REPRODUCED IN ANY MANNER NOR DISCLOSED TO THIRD PARTIES WITHOUT WRITTEN PERMISSION OF JAMESTOWN ADVANCED PRODUCTS CORPORATION.

PRODUCT PART NUMBER: HI-P-LR
PRODUCT DESCRIPTION: WHEEL KIT

DATE : 08/13/2022

REV. NO.

2855 GIRTS ROAD
JAMESTOWN, NY 14701