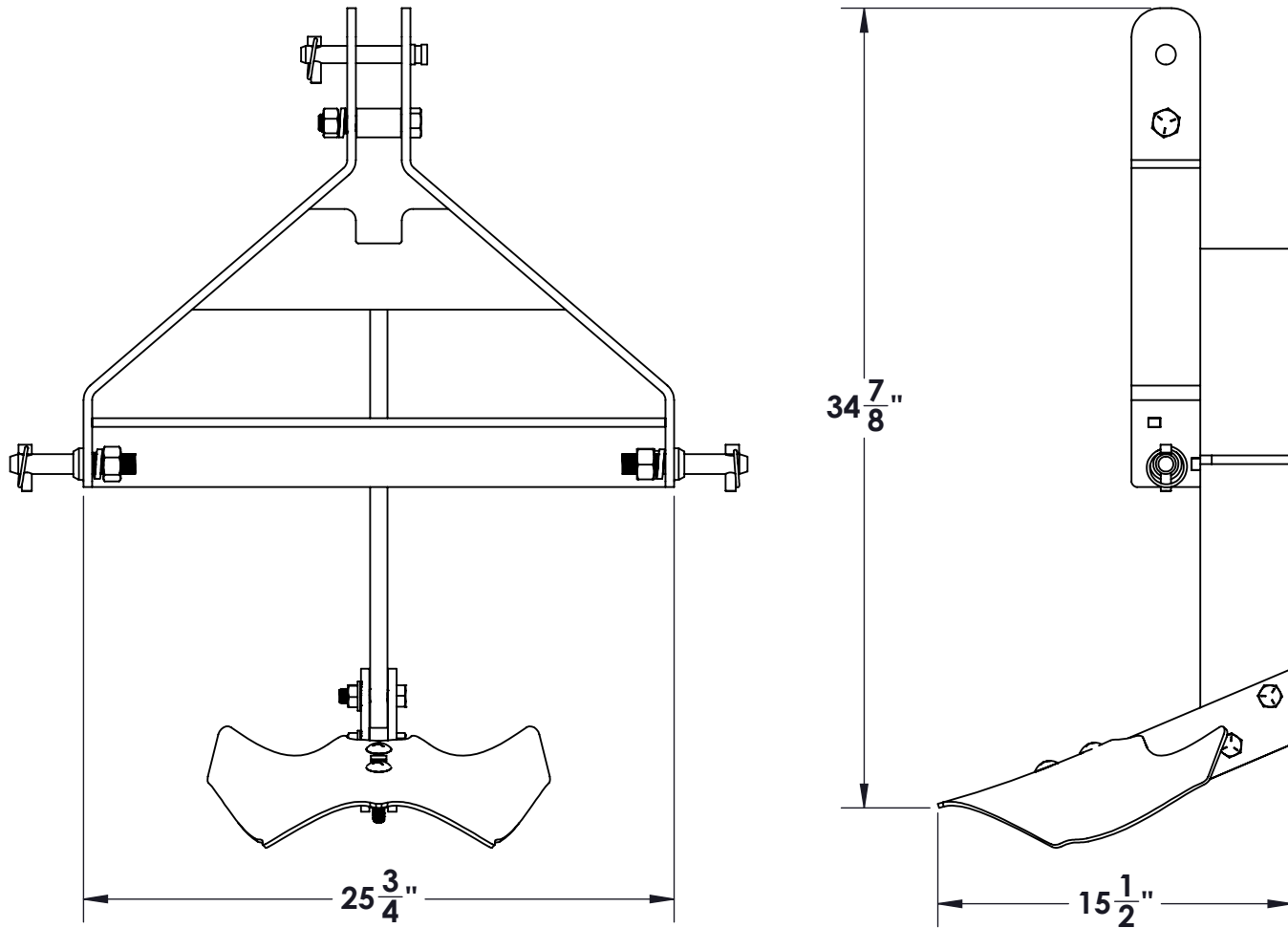


Homestead Implements Independence Series Middle Buster

Technical Specification

Model Numbers	HI-I-MB
Maximum Horsepower	40 hp (29.8 kw)
Weight	82 lbs (37.20 kg)
Hitch Type	3-point Cat. I & Cat I Quick Hitch Compatible
Width	16"
Height	33"
No. of Shanks	1
Furrower Material	3/16" Thick, C1080 Carbon Steel
Furrower Size	18" x 18"
Shank Size	3/4" x 4" wide (A572 GRADE 50)



THIS DRAWING, WHICH CONTAINS PROPRIETARY INFORMATION, IS THE PROPERTY OF JAMESTOWN ADVANCED PRODUCTS CORPORATION. IT SHALL NOT BE REPRODUCED IN ANY MANNER NOR DISCLOSED TO THIRD PARTIES WITHOUT WRITTEN PERMISSION OF JAMESTOWN ADVANCED PRODUCTS CORPORATION.

DATE : 12/20/22

PRODUCT PART NUMBER : HI-I-MB

REV. NO.

PRODUCT DESCRIPTION :
INDEPENDENCE SERIES MIDDLE BUSTER

2855 GIRTS ROAD
JAMESTOWN, NY 14701

