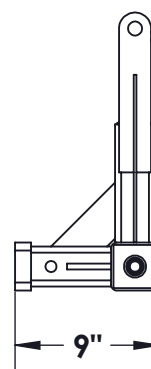
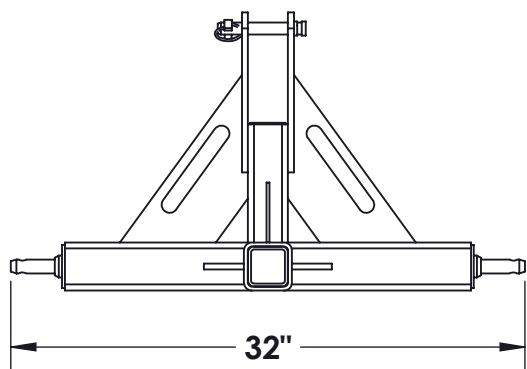


Homestead Implements Independence Series Receiver Hitch

Technical Specification

Model Numbers	HI-I-RH
Total Weight	37 lbs. (16.78 kg.)
Width	32"
Length	9"
Height	17.5"
3-Point Hitch Type	Cat. I, Fits Quick-Hitch & iMatch
Receiver Hitch	2" Receiver



CUSTOMER APPROVAL :

DATE :



THIS DRAWING, WHICH CONTAINS PROPRIETARY INFORMATION, IS THE PROPERTY OF JAMESTOWN ADVANCED PRODUCTS CORPORATION. IT SHALL NOT BE REPRODUCED IN ANY MANNER NOR DISCLOSED TO THIRD PARTIES WITHOUT WRITTEN PERMISSION OF JAMESTOWN ADVANCED PRODUCTS CORPORATION.

DATE : 04/19/2022

PRODUCT PART NUMBER : HI-I-RH

REV. NO.

PRODUCT DESCRIPTION :

INDEPENDENCE RECEIVER HITCH

2855 GIRTS ROAD
JAMESTOWN, NY 14701