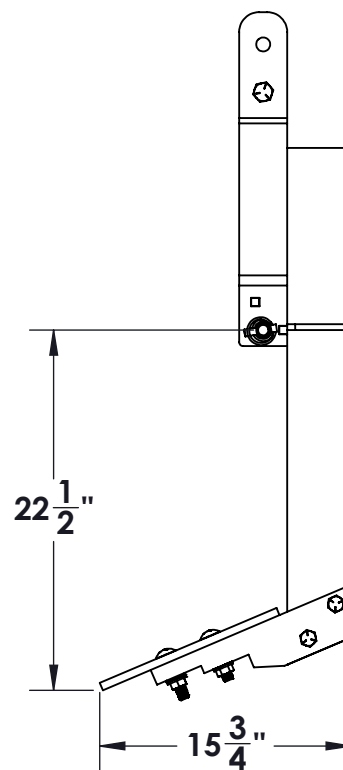
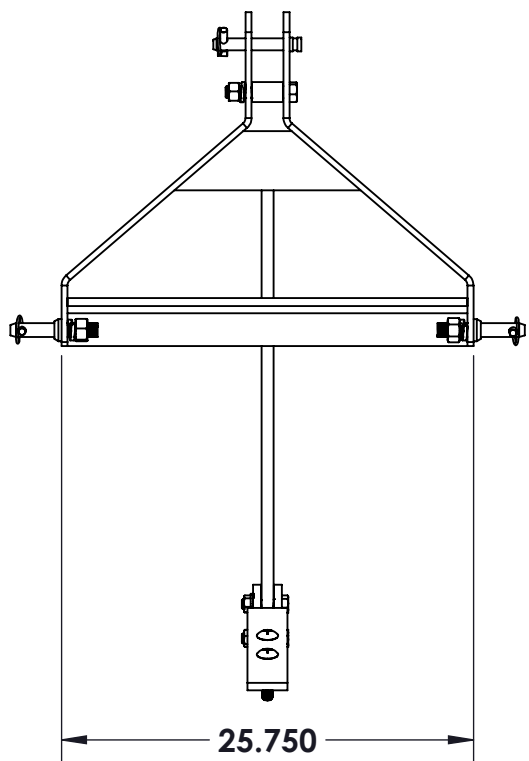


Homestead Implements Independence Series Subsoiler

Technical Specification

| | |
|---------------------------|-----------------------------------|
| Model Numbers | HI-I-SS |
| Maximum Horsepower | 40 hp (29.8 kw) |
| Weight | 90 lbs (40.82 kg) |
| Hitch Type | Cat. I, Fits Quick-Hitch & iMatch |
| Width | 16" |
| Height | 42" |
| Max. Cutting Depth | 20" |
| No. of Shanks | 1 |
| Cutting point | 1/2" X 2 1/2" X 12" (HARDOX 450) |
| Shank Size | 3/4" x 4" wide (A572 GRADE 50) |



CUSTOMER APPROVAL :

DATE :



THIS DRAWING, WHICH CONTAINS PROPRIETARY INFORMATION, IS THE PROPERTY OF JAMESTOWN ADVANCED PRODUCTS CORPORATION. IT SHALL NOT BE REPRODUCED IN ANY MANNER NOR DISCLOSED TO THIRD PARTIES WITHOUT WRITTEN PERMISSION OF JAMESTOWN ADVANCED PRODUCTS CORPORATION.

DATE : 07/14/2022

PRODUCT PART NUMBER : **H-I-SS**

REV. NO.

PRODUCT DESCRIPTION :
INDEPENDENCE SUBSOILER

2855 GIRTS ROAD
JAMESTOWN, NY 14701