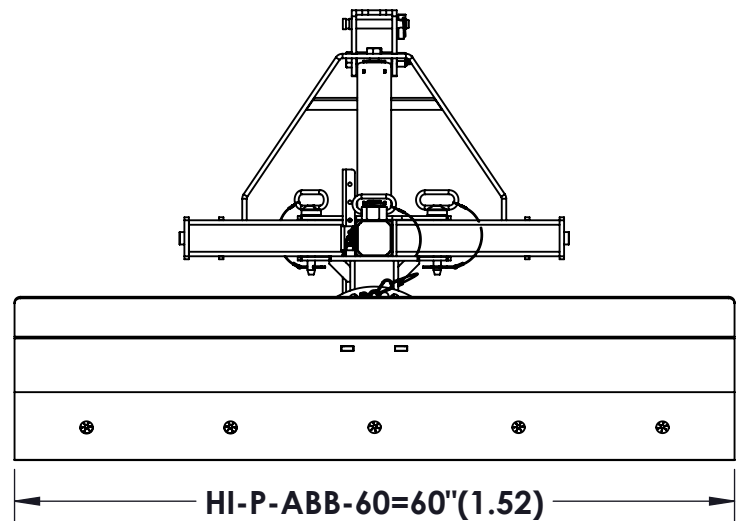
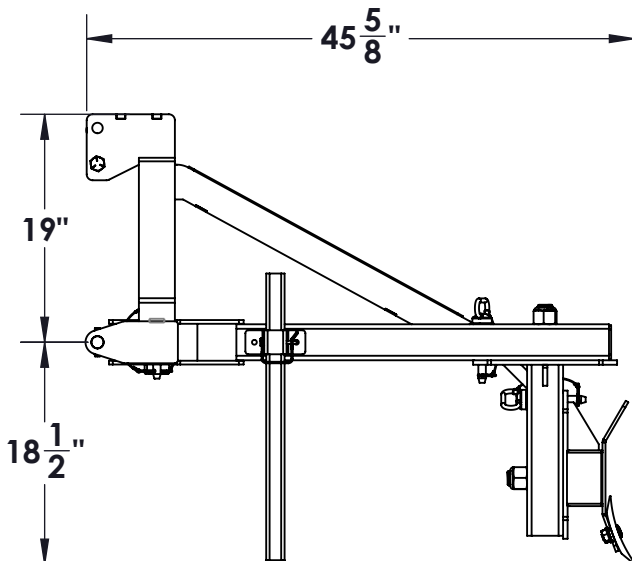


Homestead Implements Pinnacle Series 6-Way Articulating Back Blade

Technical Specification

Model Numbers	HI-P-ABB-60
Working Width	60" (1.52m)
Height and Length	37.51"(0.95 m) over all height and 45.595"(1.16m) over all length
Weight	253 lbs. (114.76 kg)
Blade Offset	18" (45.7cm) left or right
Blade Angle	Up to 45° Clockwise and Counter Clockwise
Moldboard Tilt Angle	Up to 15° Clockwise and Counter Clockwise
Lift Mechanism	Lower lift arms 3/8" Plate mounted on 3" x 3" x 3/16" (7.6cm x 7.6cm x 4.8mm) Tube and upper lift arms 3/8" Plate mounted on 3/8" A-Frame
Moldboard	A-36 grade moldboard - 14" (35.6cm) Height and 1/4"(6.3mm) Thick
Number of Cutting Blades	1 blade
Cutting Blade Properties and Size	High carbon steel, heat treated cutting edges 1/2" x 6" (12.7mm x 152.4mm)
Cutting Blade Function	Reversible and Replaceable
Maximum H.P. Rating	55 Horsepower (41 kw)
3-Point Hitch Type	Category-1 Quick-Hitch & iMatch Compatible



THIS DRAWING, WHICH CONTAINS PROPRIETARY INFORMATION, IS THE PROPERTY OF JAMESTOWN ADVANCED PRODUCTS CORPORATION. IT SHALL NOT BE REPRODUCED IN ANY MANNER NOR DISCLOSED TO THIRD PARTIES WITHOUT WRITTEN PERMISSION OF JAMESTOWN ADVANCED PRODUCTS CORPORATION.

DATE :6/7/23

PRODUCT PART NUMBER : HI-P-ABB-XX

REV. NO.

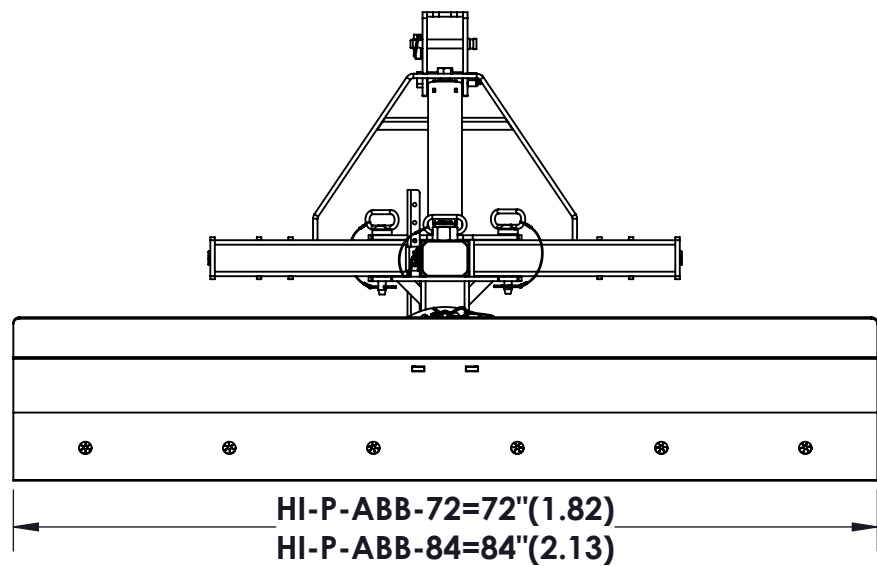
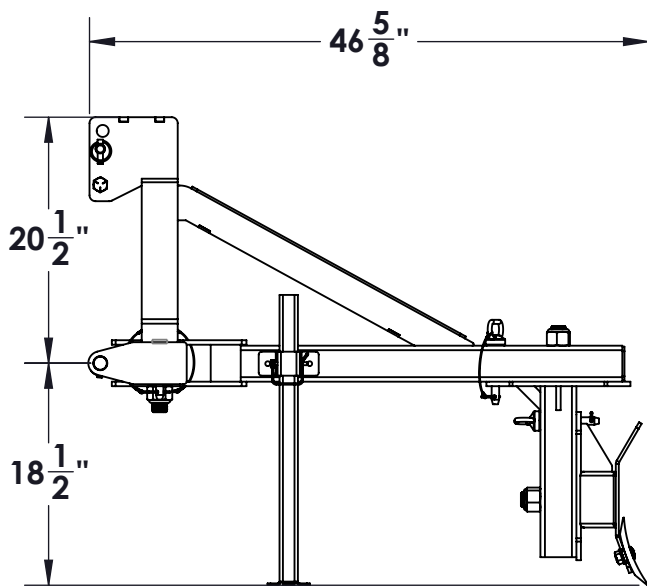
PRODUCT DESCRIPTION :
PINNACLE ARTICULATING BACKBLADE

2855 GIRTS ROAD
JAMESTOWN, NY 14701

Homestead Implements Pinnacle Series 6-Way Articulating Back Blade

Technical Specification

Model Numbers	HI-P-ABB-72	HI-P-ABB-84
Working Width	72" (1.83m)	84" (2.13m)
Height and Length	39.03"(1.00 m) over all height and 46.58"(1.18m) over all length	
Weight	311 lbs. (140.61 kg)	335 lbs. (151.5 kg)
Blade Offset	18" (45.7cm) left or right	
Blade Angle	Up to 45° Clockwise and Counter Clockwise	
Moldboard Tilt Angle	Up to 15° Clockwise and Counter Clockwise	
Lift Mechanism	Lower lift arms 3/8" Plate mounted on 3" x 3" x 3/16" (7.6cm x 7.6cm x 4.8mm) Tube and upper lift arms 3/8" Plate mounted on 3/8" A-Frame	
Moldboard	A-36 grade moldboard - 14" (35.6cm) Height and 1/4"(6.3mm) Thick	
Number of Cutting Blades	1 blade	
Cutting Blade Properties and Size	High carbon steel, heat treated cutting edges 1/2" x 6" (12.7mm x 152.4mm)	
Cutting Blade Function	Reversible and Replaceable	
Maximum H.P. Rating	55 Horsepower (41 kw)	
3-Point Hitch Type	Category 1 & Category 2 Quick-Hitch & iMatch Compatible	



THIS DRAWING, WHICH CONTAINS PROPRIETARY INFORMATION, IS THE PROPERTY OF JAMESTOWN ADVANCED PRODUCTS CORPORATION. IT SHALL NOT BE REPRODUCED IN ANY MANNER NOR DISCLOSED TO THIRD PARTIES WITHOUT WRITTEN PERMISSION OF JAMESTOWN ADVANCED PRODUCTS CORPORATION.

DATE :6/7/23

PRODUCT PART NUMBER :HI-P-ABB-XX

REV. NO.

PRODUCT DESCRIPTION :
PINNACLE ARTICULATING BACKBLADE

2855 GIRTS ROAD
JAMESTOWN, NY 14701