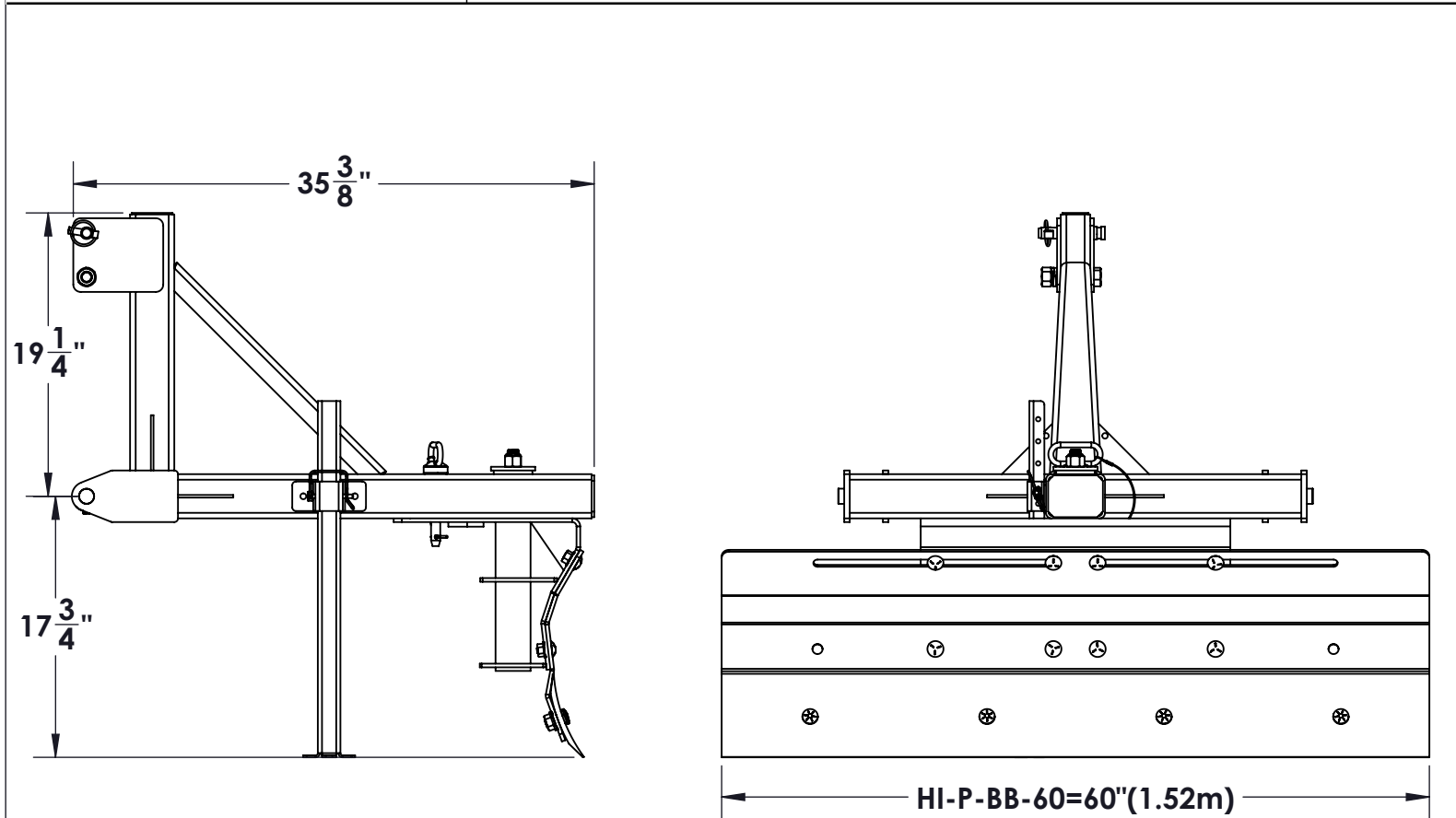


Homestead Implements Pinnacle Series Back Blade

Technical Specification

Model Numbers	HI-P-BB-60
Working Width	60" (1.52m)
Height and Length	37.38"(0.95 m) Height & 42.38"(1.07m) Length
Weight	232 lbs. (105.2 kg)
Blade Offset	8" (20.3cm) left or right
Park Stand	Retractable
Pivot Joint	3 3/8" (6.0cm) OD tube for the robust and smooth movement
Blade Angle	Forward position - 15°,30° and 45° Clockwise and counter-clockwise Reverse Position - 15° and 30 ° Clockwise and counter-clockwise
Moldboard	A-36 grade moldboard - 14" (35.6cm) Height and 1/4"(6.3mm) Thick
Number of Cutting Blades	2 Blade
Cutting Blade Properties and Size	High-Carbon steel, heat-treated cutting edges 1/2" x 6" (12.7mm x 152.4mm)
Cutting Blade Function	Reversible and Replaceable
Maximum H.P. Rating	55 HP
3-Point Hitch Type	Category 1 Quick-Hitch Compatible



THIS DRAWING, WHICH CONTAINS PROPRIETARY INFORMATION, IS THE PROPERTY OF JAMESTOWN ADVANCED PRODUCTS CORPORATION. IT SHALL NOT BE REPRODUCED IN ANY MANNER NOR DISCLOSED TO THIRD PARTIES WITHOUT WRITTEN PERMISSION OF JAMESTOWN ADVANCED PRODUCTS CORPORATION.

PRODUCT PART NUMBER : HI-P-BB

PRODUCT DESCRIPTION :
PINNACLE BACK BLADE

DATE : 12/19/22

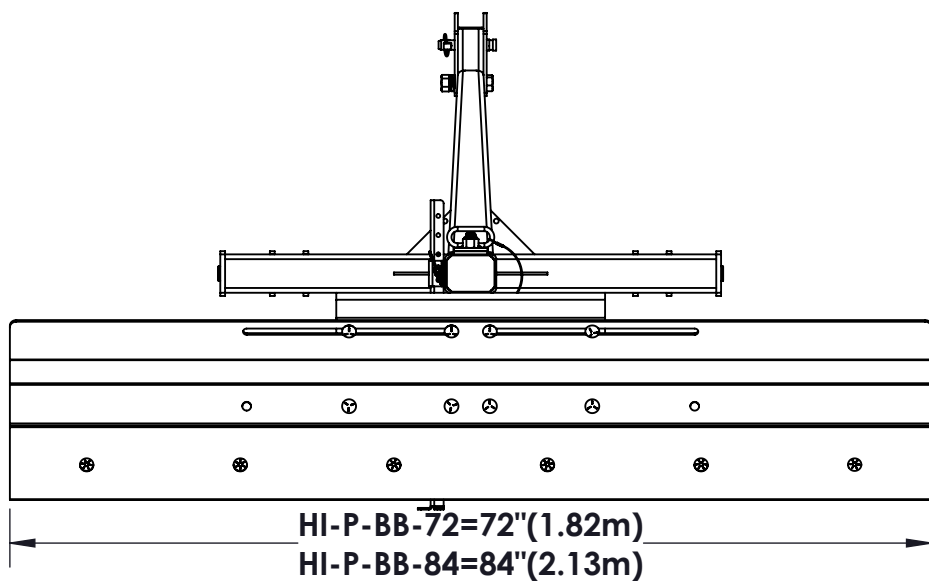
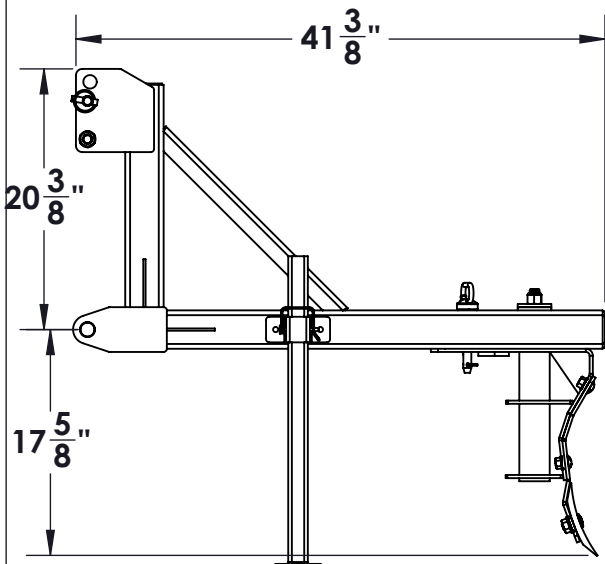
REV. NO. V2.0

2855 GIRTS ROAD
JAMESTOWN, NY 14701

Homestead Implements Pinnacle Series Back Blade

Technical Specification

Model Numbers	HI-P-BB-72	HI-P-BB-84
Working Width	72" (1.82m)	84"(2.13m)
Height and Length	38.53"(0.97 m) Height & 42.38"(1.07m) Length	
Weight	250 lbs. (113.3 kg)	270 lbs. (122.4 kg)
Blade Offset	8" (20.3cm) left or right	
Park Stand	Retractable	
Pivot Joint	3 3/8" (6.0cm) OD tube for the robust and smooth movement	
Blade Angle	Forward position - 15°,30° and 45° Clockwise and counter-clockwise Reverse Position - 15° and 30 ° Clockwise and counter-clockwise	
Moldboard	A-36 grade moldboard - 14" (35.6cm) Height and 1/4"(6.3mm) Thick	
Number of Cutting Blades	1 Blade	
Cutting Blade Properties and Size	High-Carbon steel, heat-treated cutting edges 1/2" x 6" (12.7mm x 152.4mm)	
Cutting Blade Function	Reversible and Replaceable	
Maximum H.P. Rating	55 HP	
3-Point Hitch Type	Category 1 & 2 Quick-Hitch Compatible	



THIS DRAWING, WHICH CONTAINS PROPRIETARY INFORMATION, IS THE PROPERTY OF JAMESTOWN ADVANCED PRODUCTS CORPORATION. IT SHALL NOT BE REPRODUCED IN ANY MANNER NOR DISCLOSED TO THIRD PARTIES WITHOUT WRITTEN PERMISSION OF JAMESTOWN ADVANCED PRODUCTS CORPORATION.

DATE : 12/19/22

PRODUCT PART NUMBER : HI-P-BB-XX-V2.0

REV. NO. V2.0

PRODUCT DESCRIPTION :
PINNACLE BACK BLADE

2855 GIRTS ROAD
JAMESTOWN, NY 14701