

Homestead Implements Pinnacle Series Brush Cutter

Technical Specification

Model Numbers	HI-P-BC-48	HI-P-BC-60	HI-P-BC-72
Total Unit Weight	589 lbs. (267 kg)	714 lbs. (323.8 kg)	878 lbs. (398.2 kg)
Hitch	Category 1 Quick-Hitch Compatible with floating top linkage		Category 1 & 2 Quick-Hitch Compatible with floating top linkage
Cutting Width	48" (1.21m)	60" (1.52m)	72" (1.82m)
Overall Width	53" (1.3m)	65" (1.6m)	77" (1.9m)
Deck Length	57" (1.4m)	69" (1.7m)	81" (2.0m)
Overall Length	84" (2.1m)	96" (2.4m)	108" (2.7m)
Deck Height (Bottom of Deck to Bottom of Skid Shoe)	6 7/8" (17.4cm)		7 5/16" (18.5cm)
Cutting Height	1 1/2" (3.8cm) to 9" (22.8cm)		1 1/2" (3.8cm) to 9" (22.8cm)
Cutting Capacity	2" (5.1cm) Diameter		2" (5.1cm) Diameter
Recommended Tractor HP	20-45 HP		20-65 HP
Power Take-Off Speed	540 RPM		540 RPM
Gearbox Ratio	1:1.93		1:1.93
Gear Box Input & Output	1 3/8" (3.4cm) input shaft and 1 1/2" (3.8cm) output shaft		1 3/8" (3.4cm) - 6 spline input shaft and 2" (5.1cm) output shaft
Gearbox Lubricant	EP 80-90W oil (<i>*MUST FILL GEARBOX PRIOR TO FIRST USAGE*</i>)		
Gearbox Oil Capacity	2 Pints (0.95 L)		4.5 Pints (2.13 L)
Deck Material Thickness	10 Gauge (.134")		
Skid Shoes	Replaceable skid shoes 3/8" (9.5mm) thick and 29" (73.6cm) long bolted in side skirt		
Stump Jumper	6 GA. x 22 3/8" (56.8cm) Round Pan with 1/2" (12.7mm) thick blade bar		6 GA. x 22 3/8" (56.8cm) Round Pan with 5/8" (15.8mm) thick blade bar
Blades	2 nos, 1/2" (12.7mm) x 3" (7.6cm) x 18.75" (47.6cm) Heat treated alloy steel free-swinging high lift	2 nos, 1/2" (12.7mm) x 3" (7.6cm) x 25" (63.5cm) Heat treated alloy steel free-swinging high lift	2 nos, 1/2" (12.7mm) x 3" (7.6cm) x 31" (78.7cm) Heat treated alloy steel free-swinging high lift
Blade Bolts	Keyed with hardened flat washers and mounted locknuts		
Blade Tip Speed	13,174 FPM	16,467 FPM	19,760 FPM
Driveline	Series 4 @540 RPM with slip clutch		Series 6 @ 540 RPM with slip clutch
Tailwheel Mount	Mounted on 2" (5.1cm) square tube with 360° swivel		
Tailwheel	4" (10.1cm) x 8" (20.2cm) x 15" (38.1cm) Laminated rubber tire with cast iron hub		
Front Guard	Standard	1/4" (6.3mm) Rubber Guard	
	Optional	Chain Guard	
Rear Guard	Standard	1/4" (6.3mm) Rubber Guard	
	Optional	Chain Guard	
Side Guard	Standard	1/4" (6.3mm) Rubber Guard	
	Optional	Chain Guard	

CUSTOMER APPROVAL :

DATE :



THIS DRAWING, WHICH CONTAINS PROPRIETARY INFORMATION, IS THE PROPERTY OF JAMESTOWN ADVANCED PRODUCTS CORPORATION. IT SHALL NOT BE REPRODUCED IN ANY MANNER NOR DISCLOSED TO THIRD PARTIES WITHOUT WRITTEN PERMISSION OF JAMESTOWN ADVANCED PRODUCTS CORPORATION.

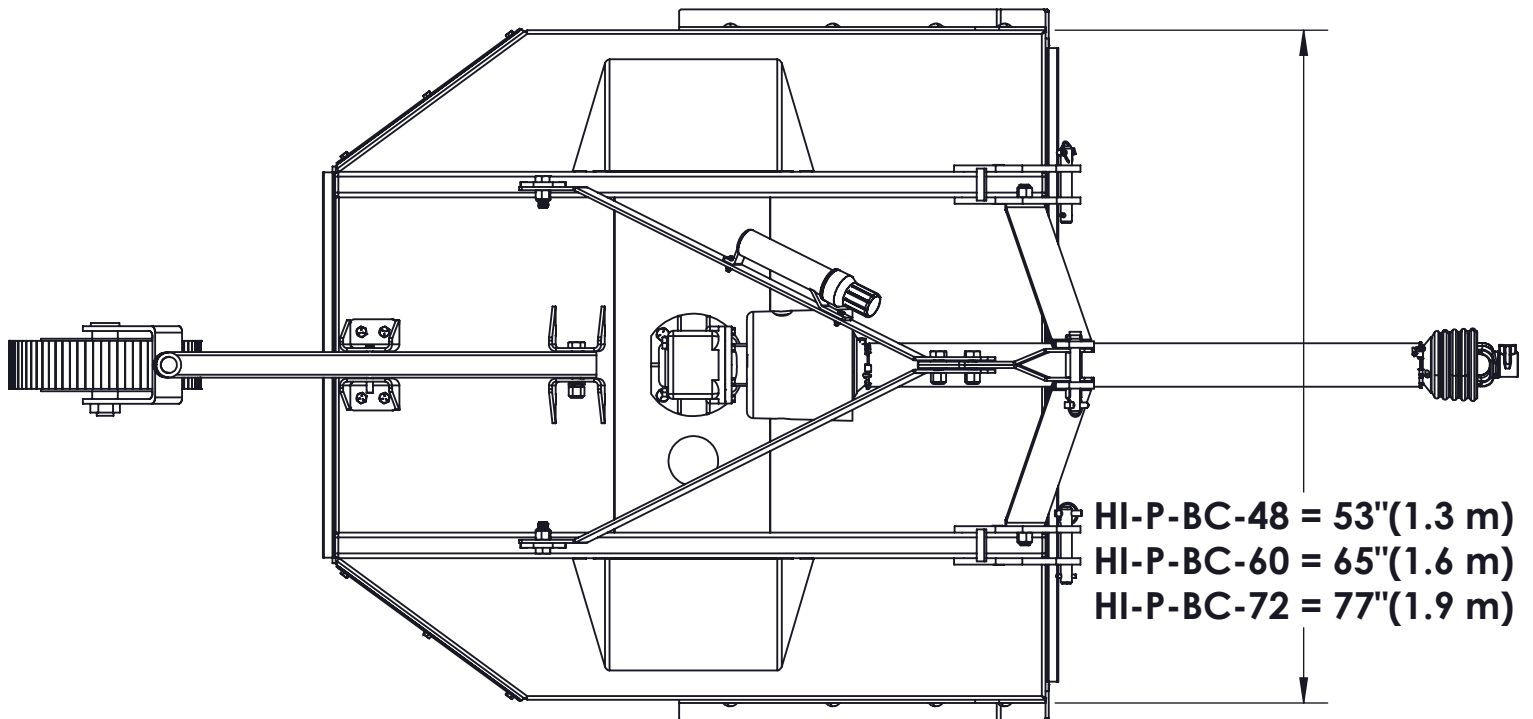
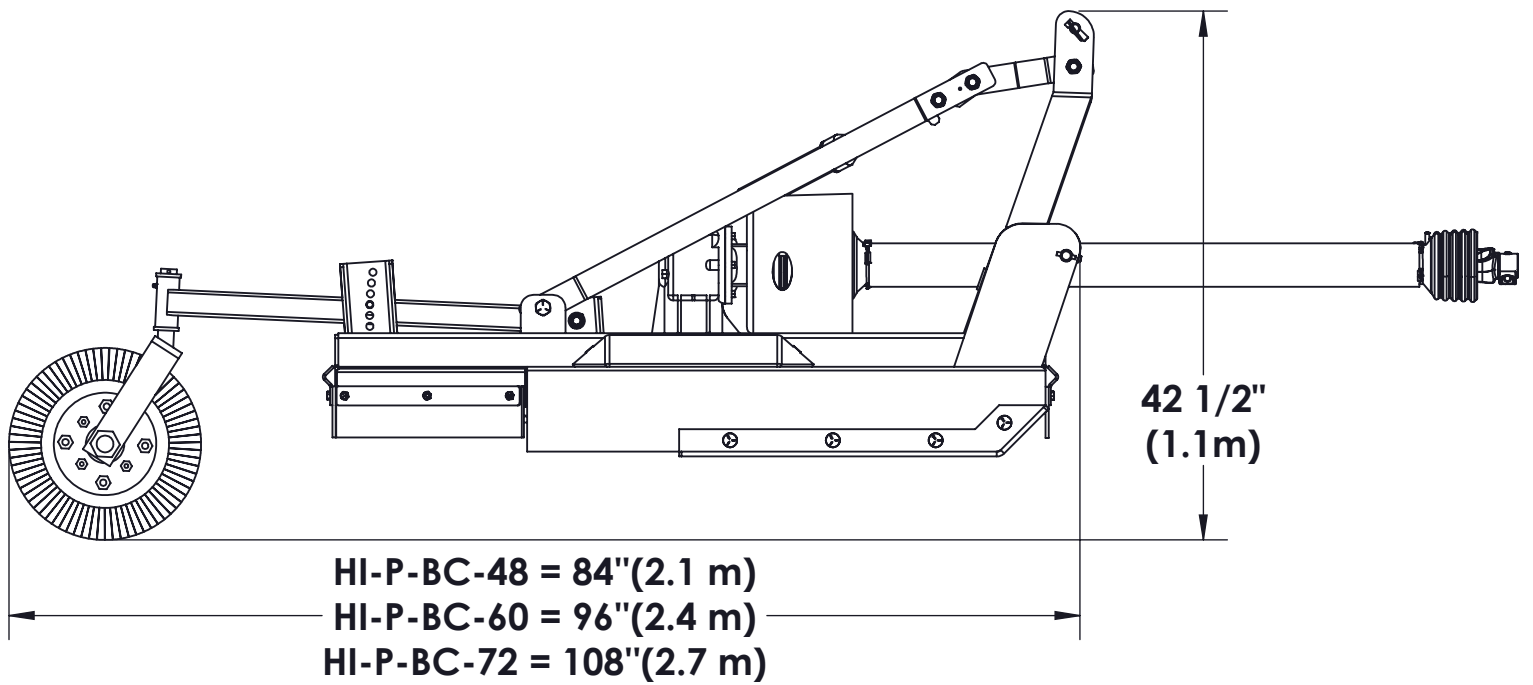
DATE : 04/20/2022

PRODUCT PART NUMBER : **HI-P-BC**

REV. NO.

PRODUCT DESCRIPTION :
BRUSH CUTTER

2855 GIRTS ROAD
JAMESTOWN, NY 14701



CUSTOMER APPROVAL :

DATE :

THIS DRAWING, WHICH CONTAINS PROPRIETARY INFORMATION, IS THE PROPERTY OF JAMESTOWN ADVANCED PRODUCTS CORPORATION. IT SHALL NOT BE REPRODUCED IN ANY MANNER NOR DISCLOSED TO THIRD PARTIES WITHOUT WRITTEN PERMISSION OF JAMESTOWN ADVANCED PRODUCTS CORPORATION.

DATE : 04/20/2022

PRODUCT PART NUMBER : HI-P-BC

REV. NO.

PRODUCT DESCRIPTION :

BRUSH CUTTER

2855 GIRTS ROAD
 JAMESTOWN, NY 14701

