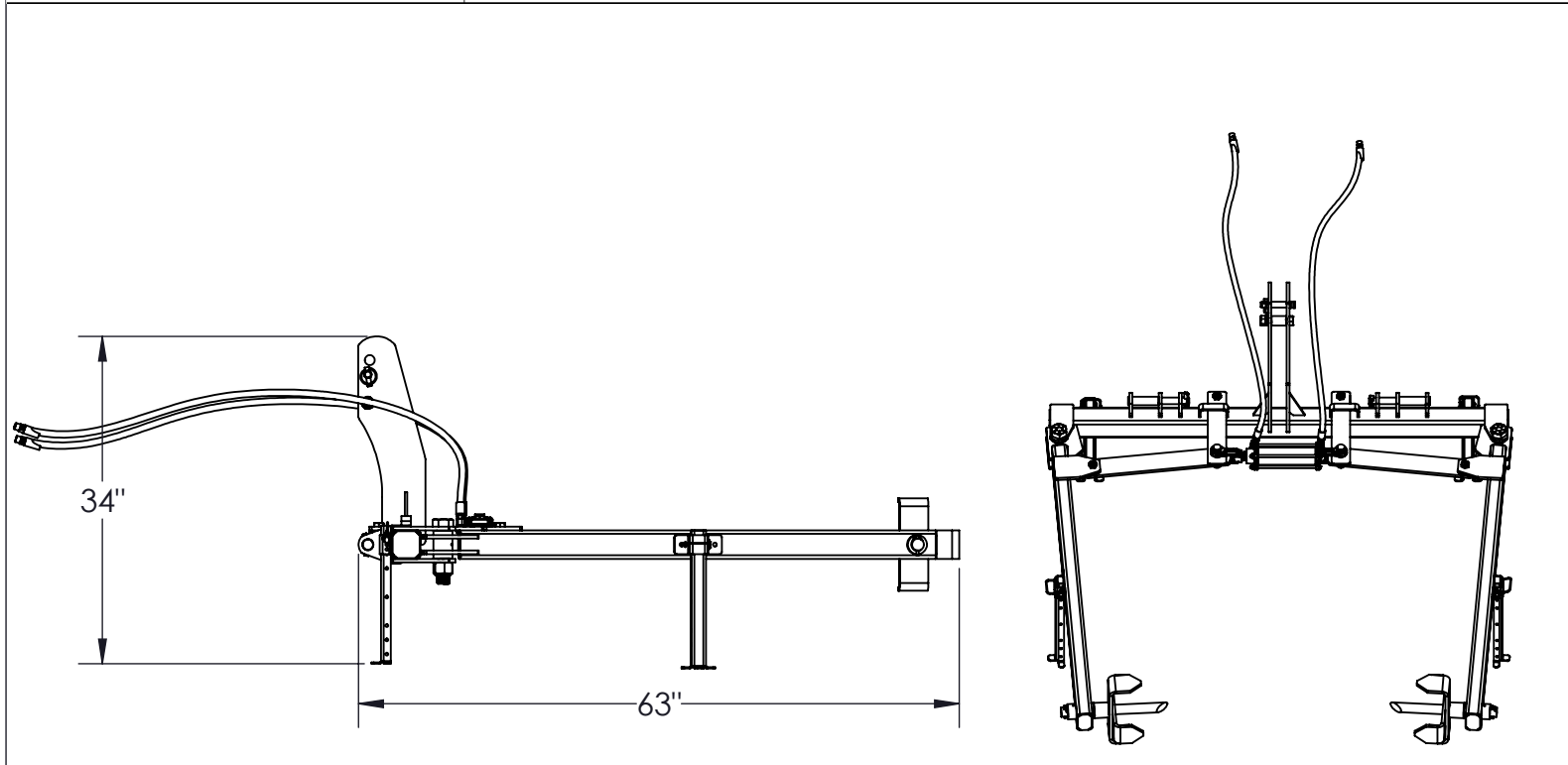


Homestead Implements Pinnacle Series Bale Unroller

Technical Specification

Model Numbers	HI-P-BU
Tractor Horsepower	20 to 50 hp (14.9-37.3 kw)
Overall Weight	260 lbs. (117.93 kg)
3-Point Hitch type	Category 1&2 Quick Hitch Compatible
Opening Width	66 1/4"
Closing Width	29 1/2"
Overall Length	63 1/4" (160.65 cm)
Overall Height	34 1/2" (87.63 cm)
Bale Size	4' to 5'
Maximum Load Capacity	1200 Lbs.
Hydraulic Cylinder	2"(5.1cm) x 6"(15.2cm) rod, 1 No's.
Maximum Pressure Rating	3000 psi
Hose Size	1/2"(12.7mm) ID with NPT Threading
Hose Pressure Rating	6100 psi



CUSTOMER APPROVAL :

DATE :



THIS DRAWING, WHICH CONTAINS PROPRIETARY INFORMATION, IS THE PROPERTY OF JAMESTOWN ADVANCED PRODUCTS CORPORATION. IT SHALL NOT BE REPRODUCED IN ANY MANNER NOR DISCLOSED TO THIRD PARTIES WITHOUT WRITTEN PERMISSION OF JAMESTOWN ADVANCED PRODUCTS CORPORATION.

PRODUCT PART NUMBER : HI-P-BU

PRODUCT DESCRIPTION :

PINNACLE BALE UNROLLER

DATE : 12/27/22

REV. NO.

2855 GIRTS ROAD
JAMESTOWN, NY 14701