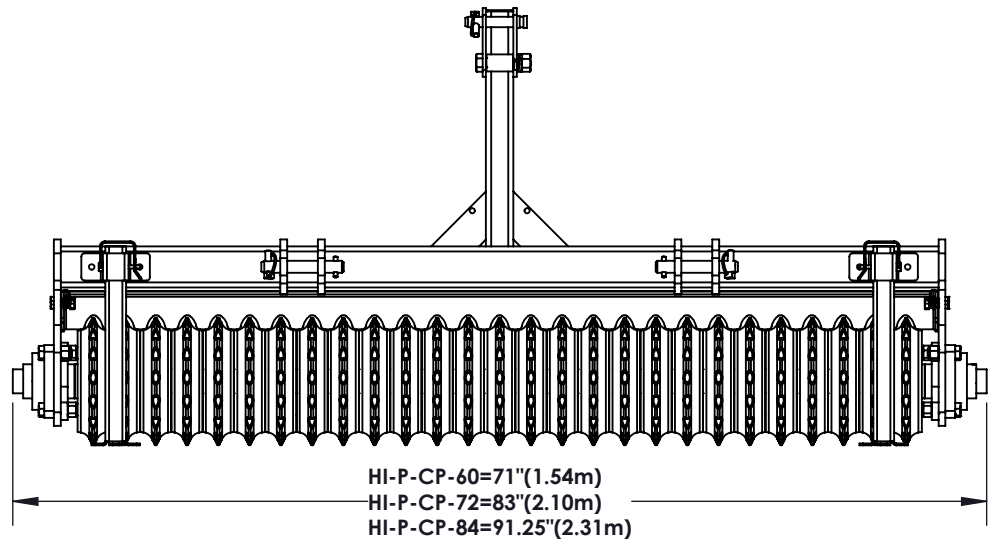
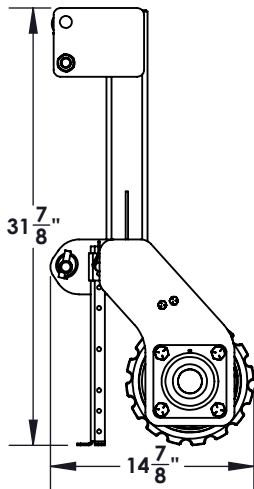


Homestead Implements Pinnacle Series Cultipacker

Technical Specification

| Model Numbers | HI-P-CP-60 | HI-P-CP-72 | HI-P-CP-84 |
|-----------------|---------------------------|-------------------------|-------------------|
| Total Weight | 380 lbs. (172.37 kg) | 440 lbs. (200 kg) | 486 lbs. (221 kg) |
| Working Width | 61" (1.54m) | 73" (1.85m) | 85" (2.15m) |
| Overall Width | 71" (1.80m) | 83" (2.10m) | 91.25" (2.31m) |
| Overall Length | 14 3/4" (37.46 cm) | | |
| Overall Height | 33 1/2" (85.09cm) | | |
| Roller Diameter | 9 1/2" (24.13cm) | | |
| Roller Material | Gray Iron Class 30 (GG20) | | |
| Hitch Type | Category-1 | Category-1 & Category-2 | |
| Recommended HP | 18 to 50 HP | 18 to 65 HP | |



CUSTOMER APPROVAL :

DATE :



THIS DRAWING, WHICH CONTAINS PROPRIETARY INFORMATION, IS THE PROPERTY OF JAMESTOWN ADVANCED PRODUCTS CORPORATION. IT SHALL NOT BE REPRODUCED IN ANY MANNER NOR DISCLOSED TO THIRD PARTIES WITHOUT WRITTEN PERMISSION OF JAMESTOWN ADVANCED PRODUCTS CORPORATION.

DATE :06/20/2022

PRODUCT PART NUMBER : HI-P-CP

REV. NO.

PRODUCT DESCRIPTION :

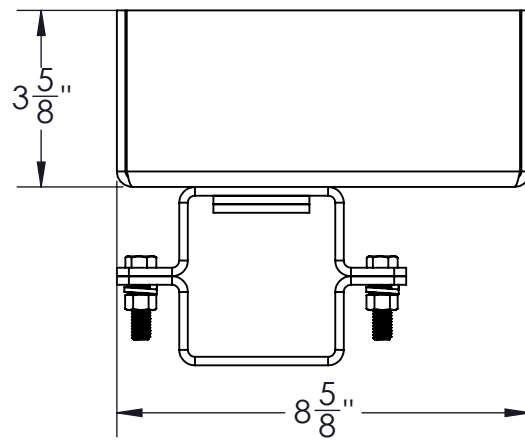
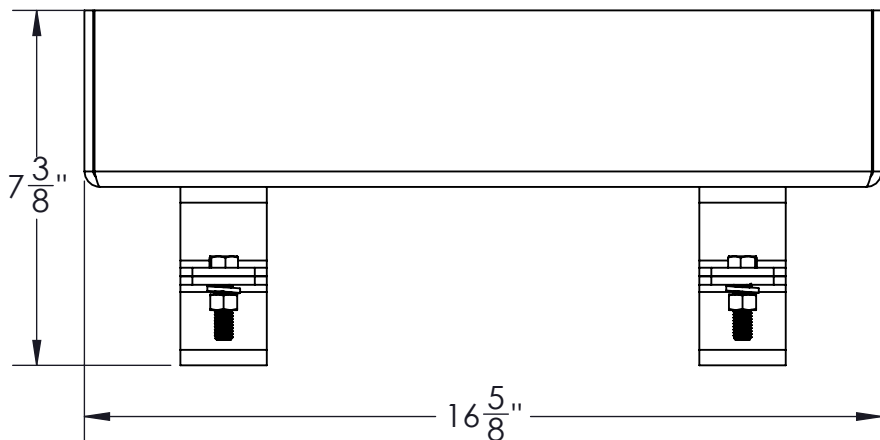
PINNACLE-CULTIPACKER

2855 GIRTS ROAD
JAMESTOWN, NY 14701

Homestead Implements Pinnacle Series Cultipacker Weight Box

Technical Specification

| | |
|----------------------|--|
| Model Numbers | HI-P-CMU |
| Weight | 20 lbs (9.08 kg) |
| Compatability | Homestead Pinnacle Cultipacker 60", 72", 84" |
| Basket Length | 17" |
| Basket Width | 9" |
| Basket Height | 4" |
| CMU Size | Upto 8" x 8" x 16" |



CUSTOMER APPROVAL :

DATE :



THIS DRAWING, WHICH CONTAINS PROPRIETARY INFORMATION, IS THE PROPERTY OF JAMESTOWN ADVANCED PRODUCTS CORPORATION. IT SHALL NOT BE REPRODUCED IN ANY MANNER NOR DISCLOSED TO THIRD PARTIES WITHOUT WRITTEN PERMISSION OF JAMESTOWN ADVANCED PRODUCTS CORPORATION.

DATE : 7/28/22

PRODUCT PART NUMBER : HI-P-CMU

REV. NO.

PRODUCT DESCRIPTION : CULTIPACKER CMU MOUNT ACCESSORY

2855 GIRTS ROAD
JAMESTOWN, NY 14701