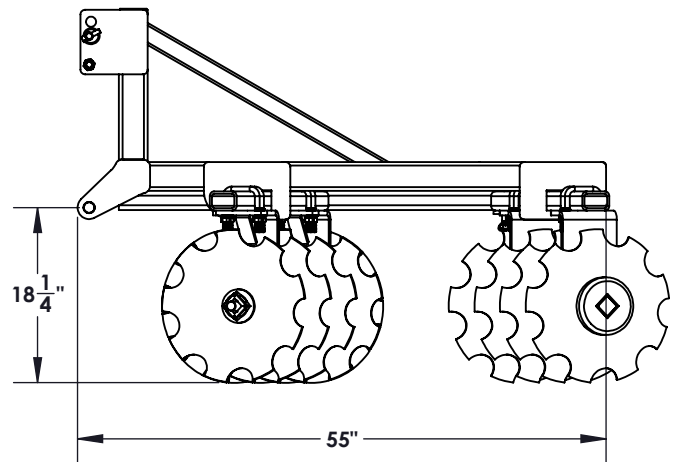
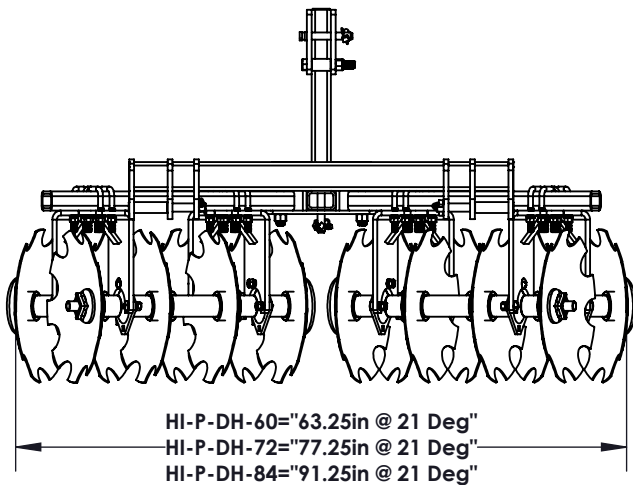


# Homestead Implements Pinnacle Series Disc Harrow

## Technical Specification

Model Numbers	HI-P-DH-60	HI-P-DH-72	HI-P-DH-84
3-Point Hitch Type	Category-1 & Category-2, Fits Quick-Hitch & iMatch		
Horsepower Rating	Maximum 75 HP		
Cultivation Width at Max Angle (21°)	63.25" (1.52 m)	77.25" (1.83 m)	91.25" (2.29 m)
Height	18 1/4" (46.35 cm)		
Disc Blade Diameter	16" (40.6 cm)		
Total Weight	670 lbs. (303.91 kg)	755 lbs. (342.46 kg)	845 lbs. (383.29 kg)
Number of Discs	16	20	24
Disc Type	Notched		
Disc Blade Spacing	7 3/8" (18.73 cm)		
Bearing Hanger	0.5" (12.5 mm) plate with 1/2" (12.5 mm) U-Bolt		
Bearing Type, 2 Per Gang	Self-Aligning, Sealed Ball Bearing		
Disc Angle	Front & Rear Gang Alignments: 0°, 7°, 14°, & 21°		
Frame Tube	3" (7.62 cm) Square		
Gang Tube	3" x 2" (7.62 cm x 5.08 cm)		
Gang Axle	1" (2.5 cm) Square High-Carbon Steel		



CUSTOMER APPROVAL :

DATE :



THIS DRAWING, WHICH CONTAINS PROPRIETARY INFORMATION, IS THE PROPERTY OF JAMESTOWN ADVANCED PRODUCTS CORPORATION. IT SHALL NOT BE REPRODUCED IN ANY MANNER NOR DISCLOSED TO THIRD PARTIES WITHOUT WRITTEN PERMISSION OF JAMESTOWN ADVANCED PRODUCTS CORPORATION.

DATE : **05/02/2022**

PRODUCT PART NUMBER : **HI-P-DH**

REV. NO.

PRODUCT DESCRIPTION :

**PINNACLE-DISC HARROW**

2855 GIRTS ROAD  
JAMESTOWN, NY 14701