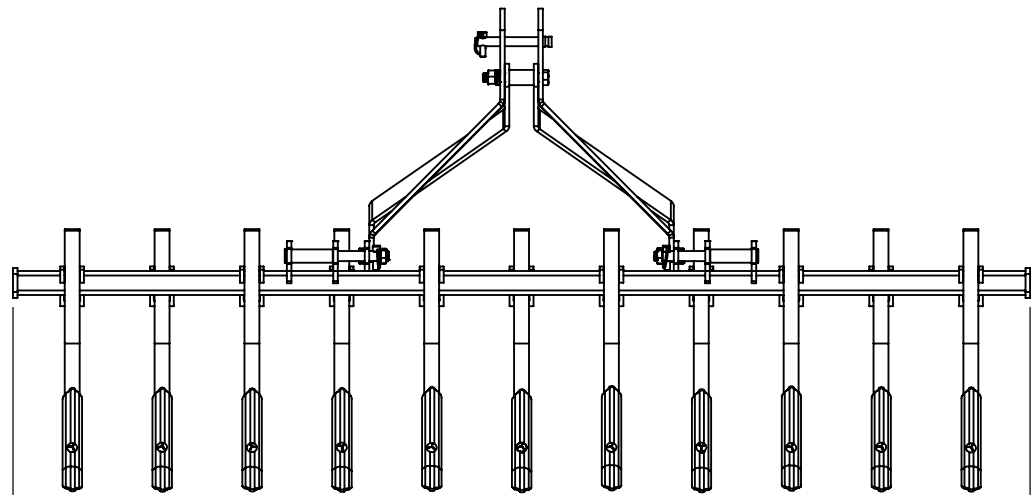
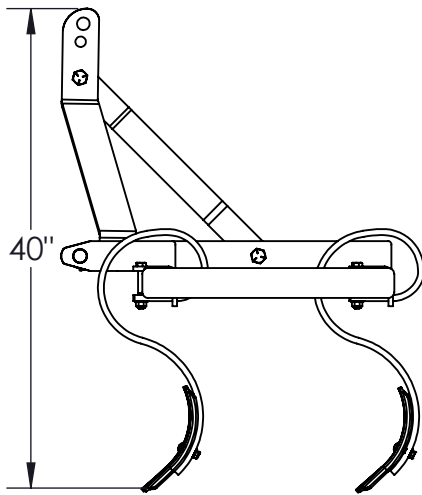


Homestead Implements Pinnacle Series S-Tine Field Cultivator

Technical Specification

Model Numbers	HI-P-FCV-60	HI-P-FCV-72	HI-P-FCV-84	HI-P-FCV-96
Tractor Horsepower	15 to 32 hp (11.1-23.8 kw)	17 to 40 hp (12.6-29.8 kw)	20 to 50 hp (14.9-37.3 kw)	25 to 55 hp (18.6-41.0 kw)
Overall Weight	175 lbs. (79.37 kg)	205 lbs. (92.98 kg)	240 lbs. (108.86 kg)	260 lbs. (117.93 kg)
3-Point Hitch Type	Category-1 & Category-2, Fits Quick-Hitch & iMatch			
Overall Width	61.35" (155.82 cm)	73.35" (186.30 cm)	84.75" (215.26 cm)	96.75" (245.74 cm)
Overall Length	30" (76.2 cm)			
Overall Height	40" (101.6 cm)			
Working Depth	7" (18 cm)			
S-Tine Dimensions	1.26"(W) x 21.25"(H)			
Number of Tines	7	9	11	13
Ground Clearance	14-1/2"			
Distance between Tines	13"			



HI-P-FCV-60=61.35in
 HI-P-FCV-72=73.35in
 HI-P-FCV-84=84.75in
 HI-P-FCV-96=96.75in

CUSTOMER APPROVAL :

DATE :



THIS DRAWING, WHICH CONTAINS PROPRIETARY INFORMATION, IS THE PROPERTY OF JAMESTOWN ADVANCED PRODUCTS CORPORATION. IT SHALL NOT BE REPRODUCED IN ANY MANNER NOR DISCLOSED TO THIRD PARTIES WITHOUT WRITTEN PERMISSION OF JAMESTOWN ADVANCED PRODUCTS CORPORATION.

DATE : 1/5/23

PRODUCT PART NUMBER : HI-P-FCV

REV. NO.

PRODUCT DESCRIPTION :
PINNACLE S-TINE FIELD CULTIVATOR

2855 GIRTS ROAD
JAMESTOWN, NY 14701