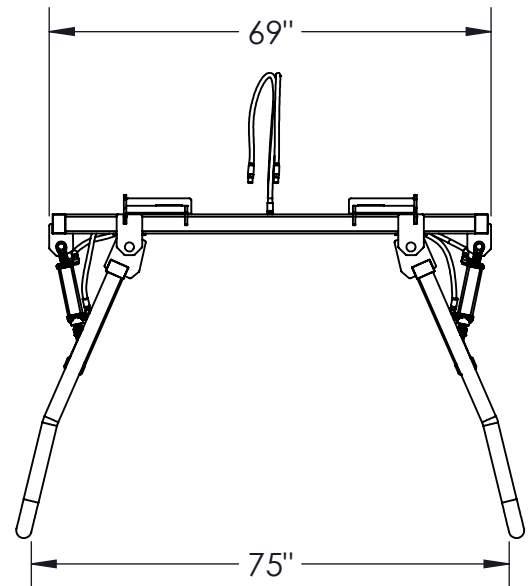
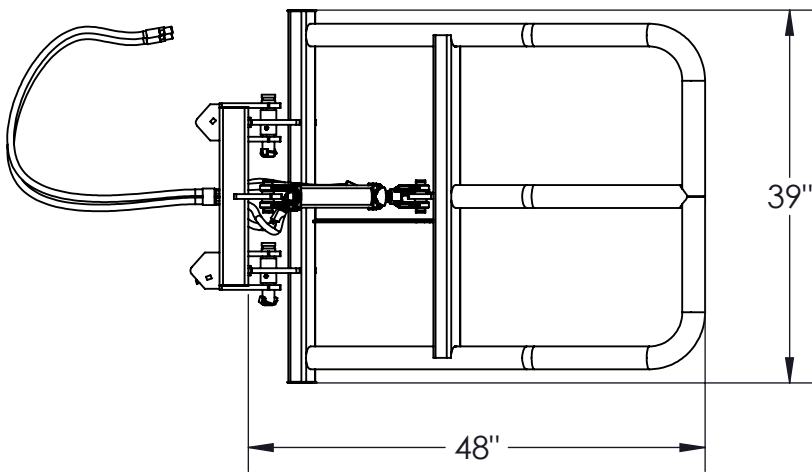


Homestead Implements Pinnacle Series Hay Bale Grabber

Technical Specification

Model Numbers	HI-P-HBG
Overall Weight	360 lbs. (163.29 kg)
Hitch Type	Universal Quick-Attach (SSQA)
Opening Tip to Tip Width	75"
Closing Inside Arm Width	42"
Overall Length	53" (134.62 cm)
Overall Height	39" (99.06 cm)
Bale Size	Up to 5' (60")
Bale Capacity	1500 Lbs.
Hydraulic Cylinder	2"(5.1cm) x 6"(15.2cm) rod, 2 No's.
Maximum Pressure Rating	3000 psi
Hose Size	1/2"(12.7mm) ID with NPT Threading
Hose Pressure Rating	6100 psi



CUSTOMER APPROVAL :

DATE :



THIS DRAWING, WHICH CONTAINS PROPRIETARY INFORMATION, IS THE PROPERTY OF JAMESTOWN ADVANCED PRODUCTS CORPORATION. IT SHALL NOT BE REPRODUCED IN ANY MANNER NOR DISCLOSED TO THIRD PARTIES WITHOUT WRITTEN PERMISSION OF JAMESTOWN ADVANCED PRODUCTS CORPORATION.

DATE : 01/04/22

PRODUCT PART NUMBER : **HI-P-HBG**

REV. NO.

PRODUCT DESCRIPTION :

PINNACLE BALE GRABBER 2CYL

2855 GIRTS ROAD
JAMESTOWN, NY 14701