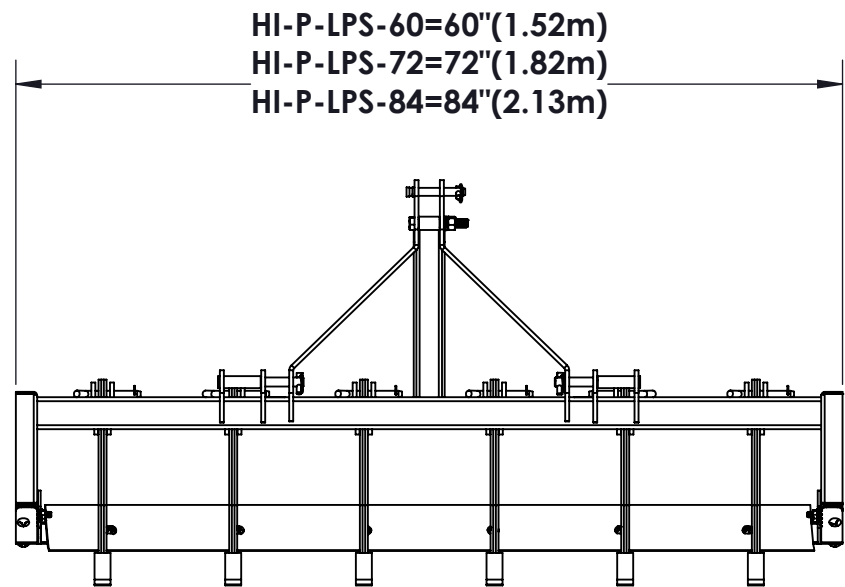
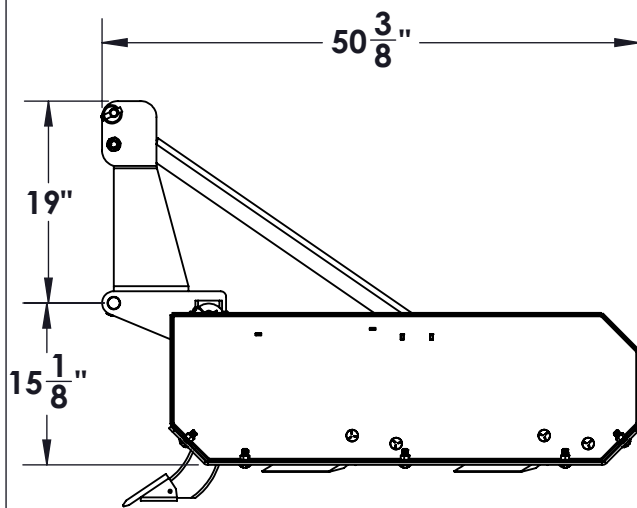


# Homestead Implements Pinnacle Series Land Plane

## Technical Specification

Model Numbers	HI-P-LPS-60	HI-P-LPS-72	HI-P-LPS-84
Working Width	60" (1.52 m)	72" (1.83 m)	84"(2.13m)
Overall Width	65 1/2" (1.66 m)	77 1/2" (1.97 m)	89 1/2" (2.27 m)
Number of Scarifier Shanks	4	6	7
Maximum H.P. Rating	56 Horsepower		
Total Weight with Shanks	424 lbs. (193 kg)	497 lbs. (226 kg)	549 lbs. (250 kg)
Overall Length	52 " (1.30 m)		
Overall Height	36 1/2" (90.2 cm)		
Side Panel Height	15 1/4" (36.2 cm)		
Side Panel Length	44" (1.12 m)		
Side Panel Thickness	1/4" (25.4mm) thick side panels with replaceable skid shoe underneath.		
Front Main Beam & Scarifier Support	4" x 3" x 3/16" (10.2cm x 7.6cmx 4.8mm) Square Tubing with 3/8" x 3" long shank reinforcements		
Skid Shoe Dimensions	1/4" (6.4 mm) Thick x 2" (5.1 cm) wide x 44" (1.12 m) long.		
Scarifier Shank Construction	3/4" x 2.5" x 18" (19 mm x 63 mm x 458 mm) Replaceable heat treated dimpled-on tips		
Cutting Edges	Two High carbon steel, heat treated cutting edges 1/2" x 6" (1.2cm x 15.2cm)		
Cutting Edge Placement	Two parallel cutting edges placed at 5 degree and 17.5" (44.6cm) apart.		
Cutting Edge Adjustment	Continuous height adjustment from skid level to 1-3/4" (4.5 cm) below skid level.		
Shank Adjustments	3 1/4" and 1 1/4" (8.3 cm and 3.2 cm) below skid level 1/4" and 2 1/4" (0.6 cm and 5.7 cm) above skid level		
3-Point Hitch Type	Cat. 1 Quick-Hitch Compatible	Category 1 & 2 Quick-Hitch Compatible	



THIS DRAWING, WHICH CONTAINS PROPRIETARY INFORMATION, IS THE PROPERTY OF JAMESTOWN ADVANCED PRODUCTS CORPORATION. IT SHALL NOT BE REPRODUCED IN ANY MANNER NOR DISCLOSED TO THIRD PARTIES WITHOUT WRITTEN PERMISSION OF JAMESTOWN ADVANCED PRODUCTS CORPORATION.

DATE : 9/1/22

PRODUCT PART NUMBER : HI-P-LPS

REV. NO. V2.0

PRODUCT DESCRIPTION : PINNACLE SERIES LAND PLANE

2855 GIRTS ROAD  
JAMESTOWN, NY 14701