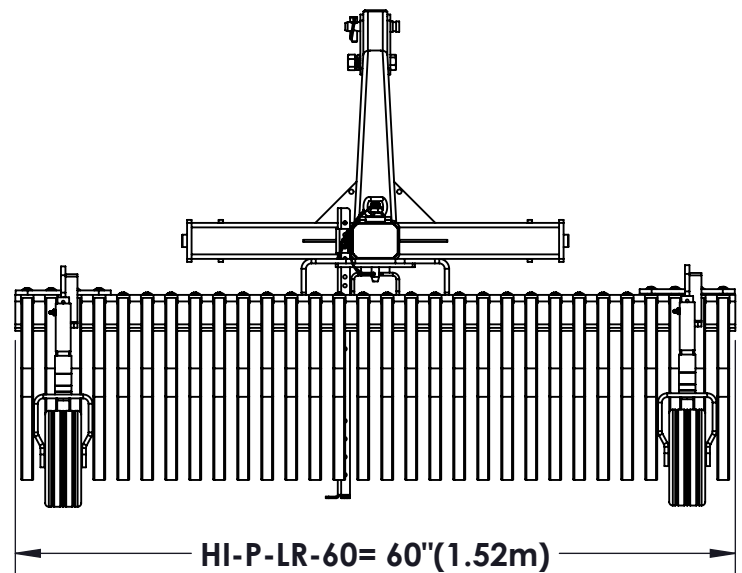
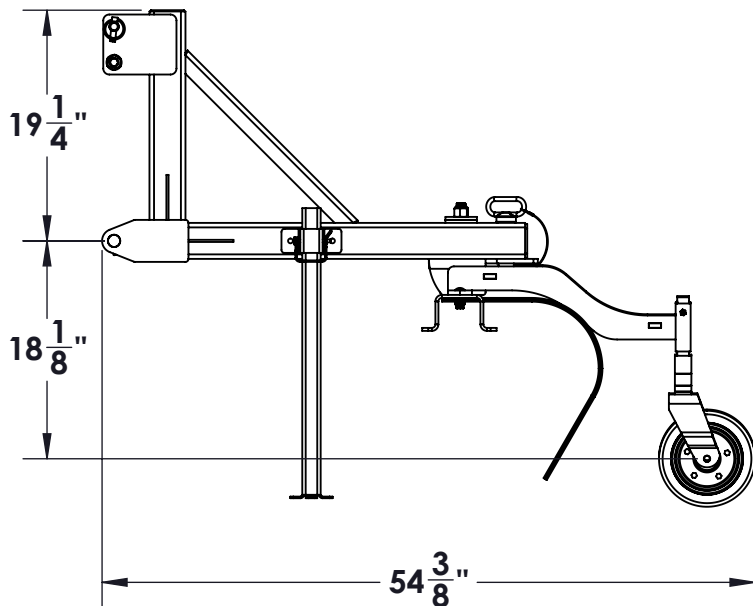


Homestead Implements Pinnacle Series Landscape Rake

Technical Specification

Model Numbers	HI-P-LR-60
Working Width	60" (1.52m)
Height and Length	41.381"(1.05m) over all height and 54.412"(1.38m) over all length
Weight	210 lbs (96 kg)
Number of Tines	30
Park Stand	Retractable w/ Pin
Pivot Joint	2 3/8" (6.0cm) OD tube
Rake Angle	Forward Position - 15°, 30° and 45° Clockwise and counter-clockwise Reverse Position - 15° and 30° Clockwise and counter-clockwise
Lift Mechanism	Lower lift arms 3/8" Plate mounted on 3" x 3" x 3/16" (7.6cm x 7.6cm x 4.8mm) Tube and upper lift arms 1/4" Plate mounted on 2" x 3" x 3/16" (10.2cm x 10.2cm x 4.8mm)
Tine Dimensions	1"(25.4mm) Wide x 5/16" (7.9mm) Thick
Tine Position	1"(25.4mm) Apart
Tine Material	High-Carbon Spring steel with quenching
Tine Replacement	Individual (Call 833-625-0635 for Replacement Tines)
Maximum H.P. Rating	55 HP
3-Point Hitch Type	Cat. 1 Quick-Hitch Compatible



THIS DRAWING, WHICH CONTAINS PROPRIETARY INFORMATION, IS THE PROPERTY OF JAMESTOWN ADVANCED PRODUCTS CORPORATION. IT SHALL NOT BE REPRODUCED IN ANY MANNER NOR DISCLOSED TO THIRD PARTIES WITHOUT WRITTEN PERMISSION OF JAMESTOWN ADVANCED PRODUCTS CORPORATION.

DATE : 12/19/22

PRODUCT PART NUMBER : HI-P-LR

REV. NO. V2.0

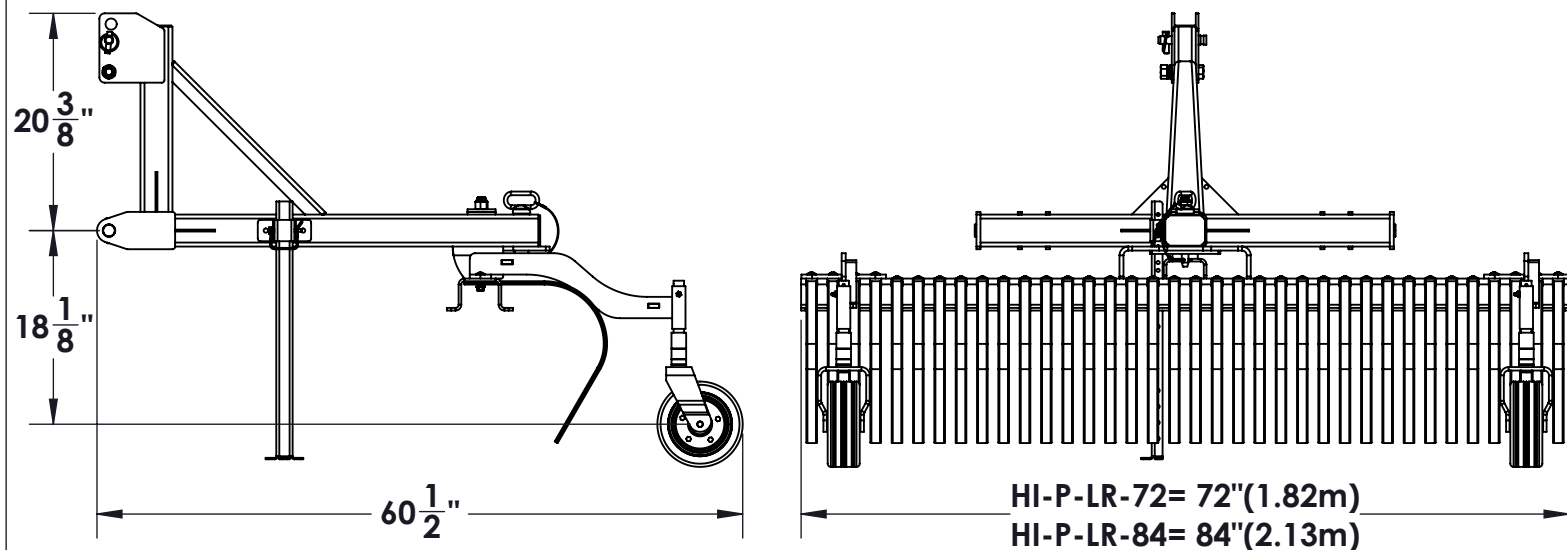
PRODUCT DESCRIPTION :
LANDSCAPE RAKE

2855 GIRTS ROAD
JAMESTOWN, NY 14701

Homestead Implements Pinnacle Series Landscape Rake

Technical Specification

Model Numbers	HI-P-LR-72	HI-P-LR-84
Working Width	72" (1.83m)	84" (2.13m)
Height and Length	42.520"(1.08m) over all height and 60.537"(1.54m) over all length	
Weight	244 lbs (111 kg)	267 lbs (122 kg)
Number of Tines	36	42
Park Stand	Retractable w/ Pin	
Pivot Joint	3 3/8" (6.0cm) OD tube	
Rake Angle	Forward Position - 15°, 30° and 45° Clockwise and counter-clockwise	
Lift Mechanism	Lower lift arms 3/8" Plate mounted on 3" x 3" x 3/16" (7.6cm x 7.6cm x 4.8mm) Tube and upper lift arms 1/4" Plate mounted on 2" x 3" x 3/16" (10.2cm x 10.2cm x 4.8mm)	
Tine Dimensions	1"(25.4mm) Wide x 5/16" (7.9mm) Thick	
Tine Position	1"(25.4mm) Apart	
Tine Material	High-Carbon Spring steel with quenching	
Tine Replacement	Individual (Call 833-625-0635 for Replacement Tines)	
Maximum H.P. Rating	55 HP	
3-Point Hitch Type	Category 1 & 2 Quick-Hitch Compatible	



THIS DRAWING, WHICH CONTAINS PROPRIETARY INFORMATION, IS THE PROPERTY OF JAMESTOWN ADVANCED PRODUCTS CORPORATION. IT SHALL NOT BE REPRODUCED IN ANY MANNER NOR DISCLOSED TO THIRD PARTIES WITHOUT WRITTEN PERMISSION OF JAMESTOWN ADVANCED PRODUCTS CORPORATION.

DATE : 12/19/22

PRODUCT PART NUMBER : HI-P-LR-XX-V2.0

REV. NO. V 2.0

PRODUCT DESCRIPTION :
LANDSCAPE RAKE V2.0

2855 GIRTS ROAD
JAMESTOWN, NY 14701