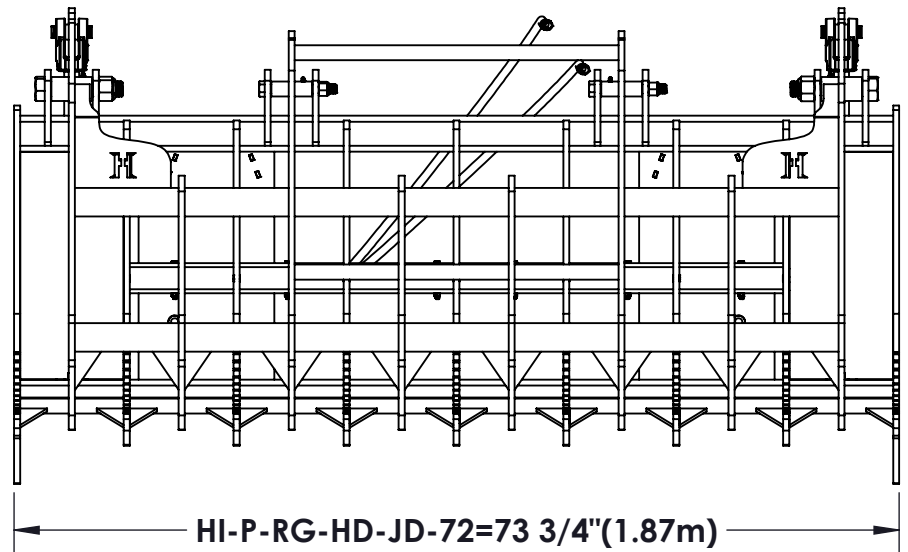
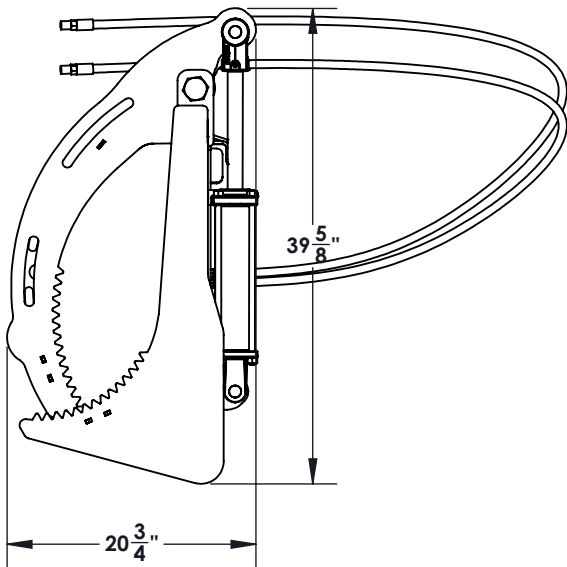


Homestead Implements Pinnacle Series Utility Root Grapple for John Deere

Technical Specification

Model Numbers	HI-P-RG-HD-JD-72
Weight	617 lbs. (280 kg)
Overall Width	73 3/4" (1.87 m)
Closed Height	39 3/4" (1 m)
Jaw Opening	47" (1.2 m)
Number of Teeth	9 Bottom & 8 Top
Teeth Spacing	8 11/16" (21.9 cm) on bottom teeth and 8 11/16" (21.9 cm) on the top teeth
Tooth Thickness & Material	1/2" (12.7 mm), HARDOX® AR450
Working Length of Teeth	12 7/8" (32.7cm)
Hydraulic Cylinder	3" (7.62cm) x 10"(25.4cm) x 1 1/4"(3.18 cm) Rod, 2 Nos.
Maximum Pressure Rating	3000 PSI
Hose Size and Connector	3/8" (9.5mm) ID with JIC flare fitting
Hose Size	1/2" (12.7mm) ID with NPT threading
Hose Pressure Rating	6000 PSI
Compatible John Deere Loaders	300E, 300R, 320R, 400E, 400R, 400X, 400CX, 512, 522, 540R, 542, 553, 562, H240, H260, H310
Recommended Tractor HP	55-100 HP



CUSTOMER APPROVAL :

DATE :



THIS DRAWING, WHICH CONTAINS PROPRIETARY INFORMATION, IS THE PROPERTY OF JAMESTOWN ADVANCED PRODUCTS CORPORATION. IT SHALL NOT BE REPRODUCED IN ANY MANNER NOR DISCLOSED TO THIRD PARTIES WITHOUT WRITTEN PERMISSION OF JAMESTOWN ADVANCED PRODUCTS CORPORATION.

DATE : **03/27/2023**

PRODUCT PART NUMBER : **HI-P-RG-HD-JD**

REV. NO. **1**

PRODUCT DESCRIPTION :
PINNACLE ROOT GRAPPLE HEAVY DUTY JOHN DEERE

2855 GIRTS ROAD
JAMESTOWN, NY 14701