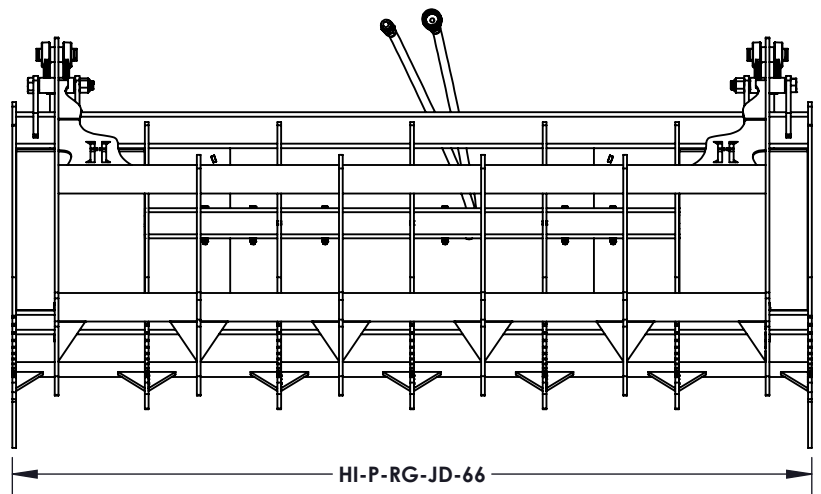
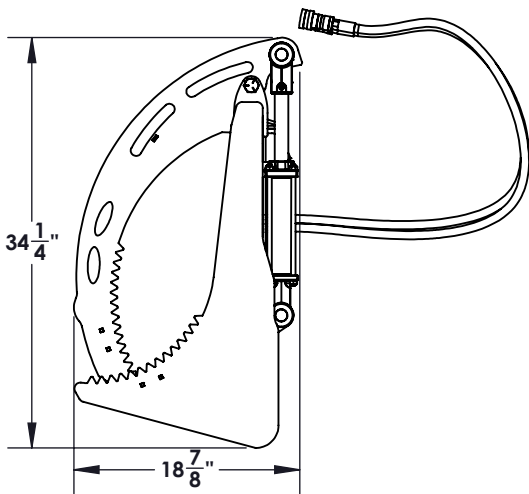


Homestead Implements Pinnacle Series Root Grapple (John Deere)

Technical Specification

Model Numbers	HI-P-RG-JD-66
Weight	336 lbs. (153 kg)
Overall Width	66 5/8" (1.7m)
Closed Height	34 3/16" (86.8cm)
Jaw Opening	39 1/2" (100.3cm)
Number of Teeth	7 Bottom & 6 Top
Teeth Spacing	10 3/8" (26.4cm) on bottom teeth and 11 1/2" (29.2cm) on the top teeth
Tooth Thickness & Material	5/16" (7.9mm), HARDOX® 450
Working Length of Teeth	12 7/8" (32.7cm)
Hydraulic Cylinder	2" (5.1cm) x 6"(15.2cm) x 1 1/8"(2.8cm) Rod, 2 Nos.
Max Pressure Rating	3000 PSI
Hose Size & Connector	3/8" (9.5mm) ID with JIC flare fitting
Hose Size	1/2" (12.7mm) ID with NPT threading
Recommended Tractor HP	Up to 60HP
Hitch Attachment	John Deere Hook & Pin - Compatible With: D120, 120R, 220R, 300E, 300R, 320R, 400E, 400R, 400X



CUSTOMER APPROVAL :

DATE :

THIS DRAWING, WHICH CONTAINS PROPRIETARY INFORMATION, IS THE PROPERTY OF JAMESTOWN ADVANCED PRODUCTS CORPORATION. IT SHALL NOT BE REPRODUCED IN ANY MANNER NOR DISCLOSED TO THIRD PARTIES WITHOUT WRITTEN PERMISSION OF JAMESTOWN ADVANCED PRODUCTS CORPORATION.

DATE : **04/20/2022**

PRODUCT PART NUMBER : **HI-P-RG-JD**

REV. NO.

PRODUCT DESCRIPTION :

PINNACLE ROOT GRAPPLE - JOHN DEERE

2855 GIRTS ROAD
JAMESTOWN, NY 14701

