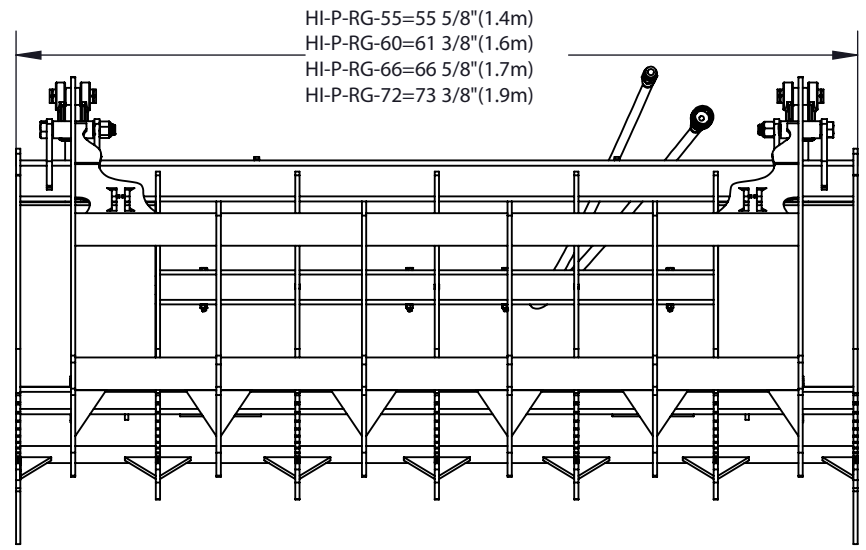
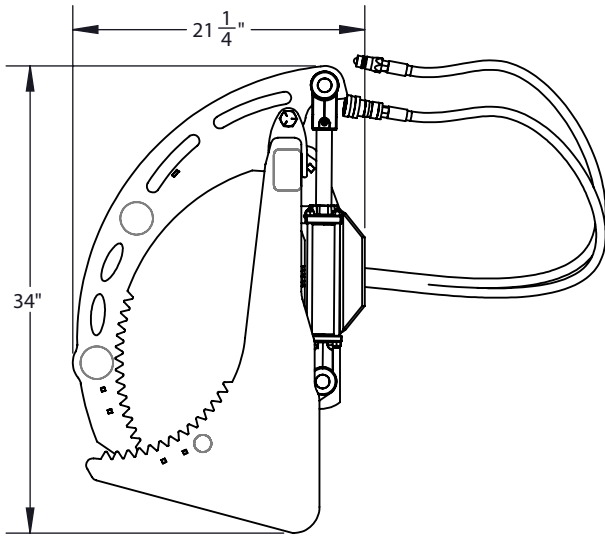


Technical Specification				
Model Numbers	HI-RG-55	HI-RG-60	HI-RG-66	HI-RG-72
Weight	302 lbs. (137 kg)	312 lbs. (141 kg)	325 lbs. (147 kg)	366 lbs. (166 kg)
Overall Width	55 5/8" (1.4m)	61 3/8" (1.6m)	66 5/8" (1.7m)	73 3/8" (1.86 m)
Closed Height	34 3/16" (86.8cm)			
Maximum Jaw Opening	39 1/2" (100.3cm)			
Number of Teeth	7 Bottom & 6 Top			9 Bottom & 8 Top
Teeth Spacing	8 7/8" (22.6cm) on bottom teeth and 8 7/8" (22.6cm) on the top teeth	9 7/8" (25.1cm) on bottom teeth and 10 1/4" (26.1cm) on the top teeth	10 3/8" (26.4cm) on bottom teeth and 11 1/2" (29.2cm) on the top teeth	8 7/8" (22.5 cm) on bottom teeth and 9" (22.86 cm) on the top teeth
Tooth Thickness & Material	5/16" (7.9mm), HARDOX® 450			
Length of Teeth	12 7/8" (32.7cm)			
Hydraulic Cylinder(s)	2" (5.1cm) x 6"(15.2cm) x 1 1/8"(2.8cm) Rod, 2 Nos.			
Maximum Pressure Rating	3000 PSI			
Hose Size & Connector	3/8" (9.5mm) ID with JIC flare fitting			
Hose Size (tractor)	1/2" (12.7mm) ID with NPT threading			
Recommended Tractor HP	Up to 55HP		Up to 60HP	
Hitch Attachment	Universal Quick-Attach (SSQA)			



CUSTOMER APPROVAL :

DATE :



THIS DRAWING, WHICH CONTAINS PROPRIETARY INFORMATION, IS THE PROPERTY OF JAMESTOWN ADVANCED PRODUCTS CORPORATION. IT SHALL NOT BE REPRODUCED IN ANY MANNER NOR DISCLOSED TO THIRD PARTIES WITHOUT WRITTEN PERMISSION OF JAMESTOWN ADVANCED PRODUCTS CORPORATION.

PRODUCT PART NUMBER : HI-P-RG

PRODUCT DESCRIPTION : PINNACLE ROOT GRAPPLE

DATE : 04/20/2022

REV. NO.

2855 GIRTS ROAD
 JAMESTOWN, NY 14701