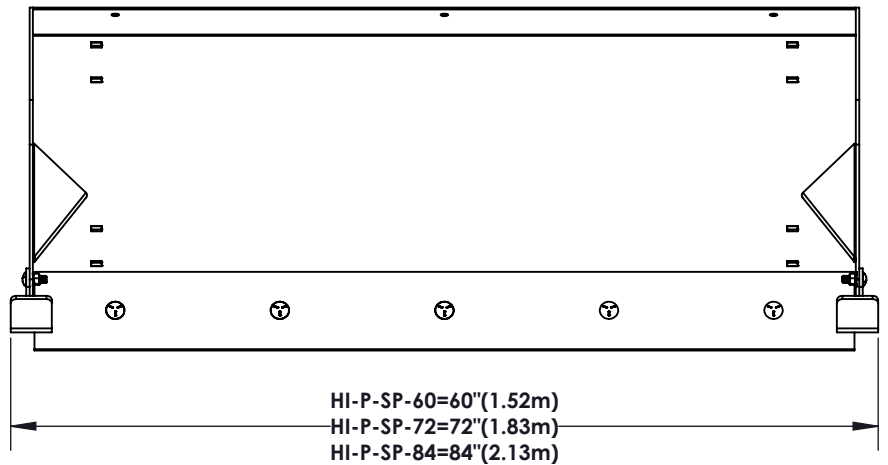
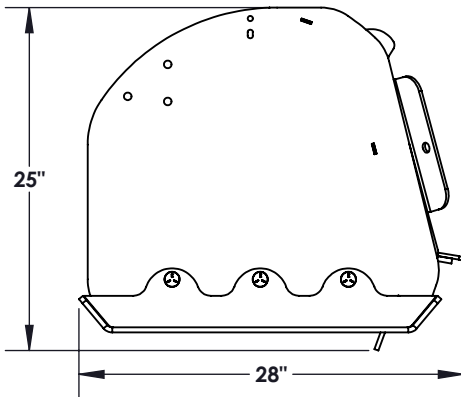


# Homestead Implements Pinnacle Series Snow Pusher

## Technical Specification

Model Numbers	HI-P-SP-60	HI-P-SP-72	HI-P-SP-84
Working Width	60"	72"	84"
Overall Height	25"		
Approximate Capacity	17 ft <sup>3</sup>	20 ft <sup>3</sup>	23 ft <sup>3</sup>
Total Weight w/ Mount & Blade	295 lbs.	320 lbs.	348 lbs.
Horsepower Range	Up to 55 HP		
Hitch Type	Universal Quick-Attach Hitch (SSQA)		
Skid Shoes	3/8" x 3" Replaceable		
Moldboard Thickness	10 Ga.		
Side Panel Thickness	1/4"		
Blades	HARDOX® 450, 5/16" x 6" Reversible and Replaceable Blade		
Blade Marker	Mounting Position Provided to mount markers		



CUSTOMER APPROVAL :

DATE :



THIS DRAWING, WHICH CONTAINS PROPRIETARY INFORMATION, IS THE PROPERTY OF JAMESTOWN ADVANCED PRODUCTS CORPORATION. IT SHALL NOT BE REPRODUCED IN ANY MANNER NOR DISCLOSED TO THIRD PARTIES WITHOUT WRITTEN PERMISSION OF JAMESTOWN ADVANCED PRODUCTS CORPORATION.

DATE : **04/20/2022**

PRODUCT PART NUMBER : **HI-P-SP**

REV. NO.

PRODUCT DESCRIPTION :  
**PINNACLE SNOW PUSHER**

2855 GIRTS ROAD  
JAMESTOWN, NY 14701