

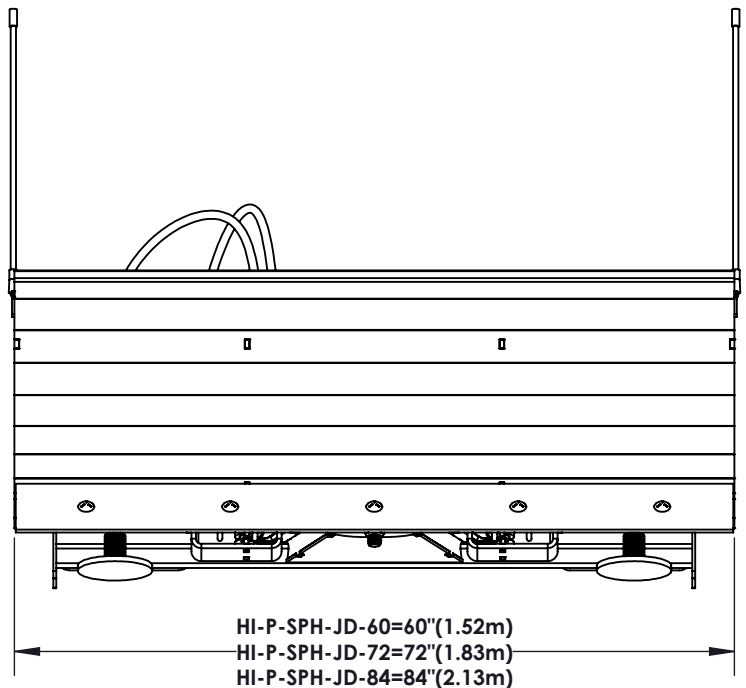
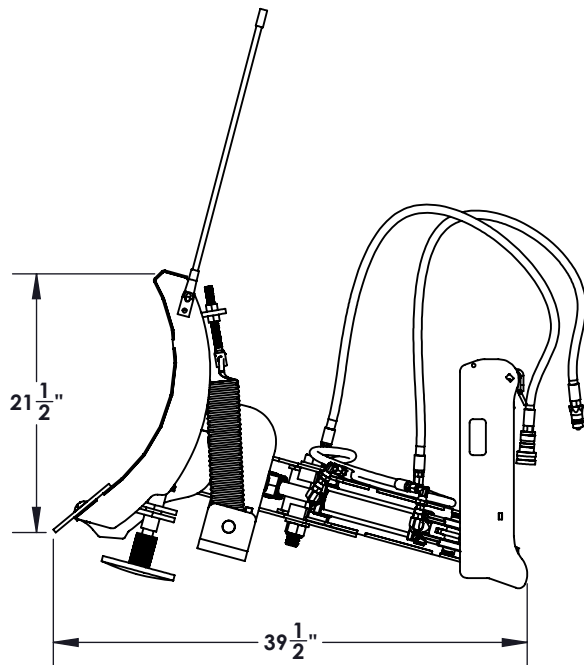
Homestead Implements Pinnacle Series Hydraulic Snow Plow (John Deere)

Technical Specification

Model Numbers	HI-P-SPH-JD-60	HI-P-SPH-JD-72	HI-P-SPH-JD-84
Recommended Tractor HP	Up to 55 HP		
Moldboard Thickness	10 Ga. (0.135")		
Maximum Cutting Width	60"	72"	84"
Cutting Width @ 30° Angle	52"	62 3/8"	72 3/4"
Moldboard Height (With Blade)	24 3/4"		
Maximum Blade Tilt Angle	30° left & 30° right		
Hydraulic Cylinder Size	2" bore x 6" stroke		
Maximum Hydraulic Pressure	3000 PSI		
Cutting Edge	5/16" x 6" Replaceable & Reversible HARDOX® 450		
Spring Trip Load	1100 lbs.		
Weight with Cutting Edge	480 lbs.	500 lbs.	520 lbs.

John Deere Mount

Hook & Pin Mounts - Compatible Loader Series	John Deere Hook & Pin - Compatible With: D120, 120R, 220R, 300E, 300R, 320R, 400E, 400R, 400X
Overall Length	53.5"
Overall Height	20.15"
Overall Width	11.5"
Front and Rear Beam Construction	3" x 3" x 3/16" (7.5cm x 7.5cm x 4.76mm) Square Tubing
Frame Construction	1/4" Plates construction with 3/8" quick attach mounting



CUSTOMER APPROVAL :

DATE :



THIS DRAWING, WHICH CONTAINS PROPRIETARY INFORMATION, IS THE PROPERTY OF JAMESTOWN ADVANCED PRODUCTS CORPORATION. IT SHALL NOT BE REPRODUCED IN ANY MANNER NOR DISCLOSED TO THIRD PARTIES WITHOUT WRITTEN PERMISSION OF JAMESTOWN ADVANCED PRODUCTS CORPORATION.

DATE : **04/20/2022**

PRODUCT PART NUMBER : **HI-P-SPH-JD**

REV. NO.

PRODUCT DESCRIPTION :
**PINNACLE SNOW PLOW HYDRAULIC-
JOHN DEERE**

2855 GIRTS ROAD
JAMESTOWN, NY 14701

PHONE 833-625-0635 -- FAX 716-483-5398 -- WWW.HOMESTEADIMPLEMENTS.COM