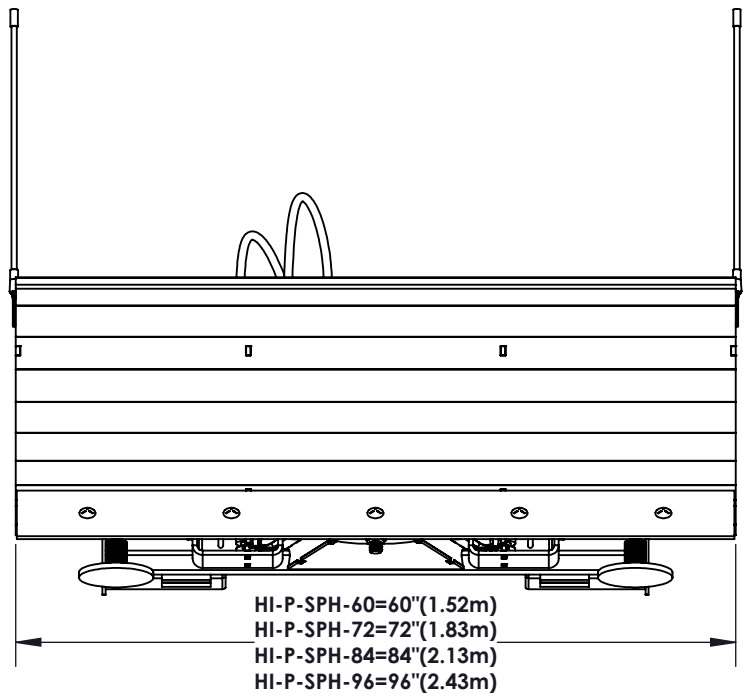
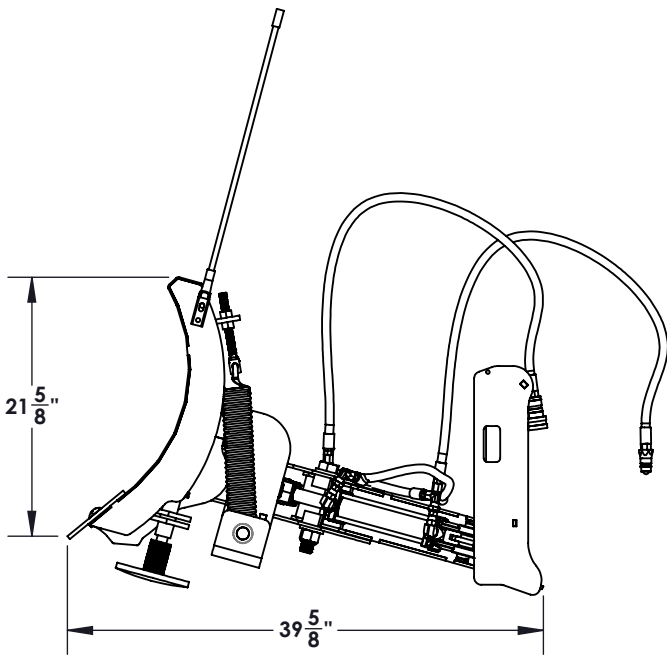


# Homestead Implements Snow Plow Hydraulic

## Technical Specification

Model Numbers	HI-P-SPH-60	HI-P-SPH-72	HI-P-SPH-84	HI-P-SPH-96
Max. Tractor HP	55 HP			
Moldboard Thickness	10 Ga. (0.135")			
Maximum Cutting Width	60"	72"	84"	96"
Cutting Width @ 30° Angle	52"	62 3/8"	72 3/4"	83 1/8"
Number of Springs	2	2	2 or 4	4
Moldboard Height (With Blade)	24 3/4"			
Maximum Blade Tilt Angle	30° left & 30° right			
Hydraulic Cylinder Size	2" bore x 6" stroke			
Maximum Hydraulic Pressure	3000 psi			
Manual Angle Adjustment	Not Applicable			
Cutting Edge (AR450)	5/16" x 6" replaceable & reversible			
Spring Trip Load	1100 lbs			
Weight with Cutting Edge	360 lbs	382 lbs	405 lbs	535 lbs
<b>Quick attach mount</b>				
Quick attach auger mount	Fits Mechanical Quick Attach Coupler			
Overall length	45.5"			
Overall height	20.15"			
Overall Width	11.5"			
Front and Rear beam construction	3" x 3" x 3/16" (7.5cm x 7.5cm x 4.76mm) Square Tubing			



CUSTOMER APPROVAL :

DATE :



THIS DRAWING, WHICH CONTAINS PROPRIETARY INFORMATION, IS THE PROPERTY OF JAMESTOWN ADVANCED PRODUCTS CORPORATION. IT SHALL NOT BE REPRODUCED IN ANY MANNER NOR DISCLOSED TO THIRD PARTIES WITHOUT WRITTEN PERMISSION OF JAMESTOWN ADVANCED PRODUCTS CORPORATION.

DATE : **10/28/24**

PRODUCT PART NUMBER : **HI-P-SPH-XX**

REV. NO. **1**

PRODUCT DESCRIPTION :  
**PINNACLE-SNOW PLOW HYDRAULIC**

2855 GIRTS ROAD  
JAMESTOWN, NY 14701