

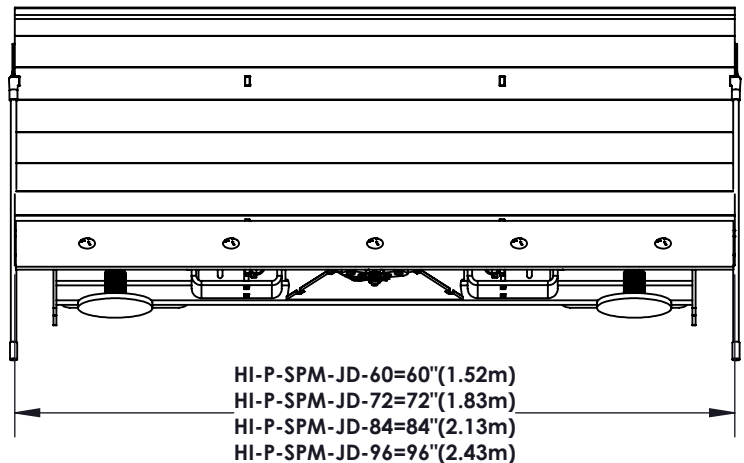
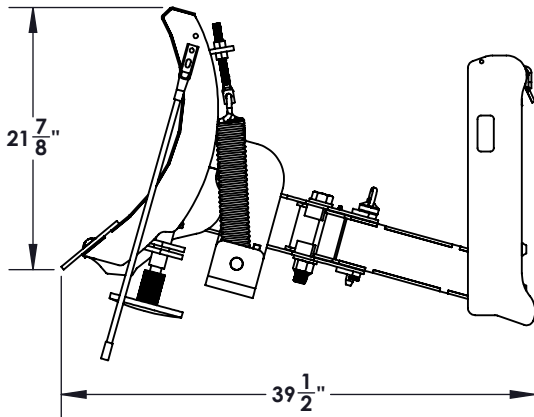
Homestead Pinnacle Implements Snow Plow Manual John Deere

Technical Specification

Model Numbers	HI-P-SPM-JD-60	HI-P-SPM-JD-72	HI-P-SPM-JD-84	HI-P-SPM-JD-96
Recommended Tractor HP	up to 55 HP			
Moldboard Thickness	10 Ga. (0.135")			
Maximum Cutting Width	60"	72"	84"	96"
Cutting Width @ 30° Angle	52"	62 3/8"	72 3/4"	83 1/8"
Number of Springs	2	2	2 or 4	4
Moldboard Height (With Blade)	24 3/4"			
Maximum Blade Tilt Angle	30° left & 30° right			
Hydraulic Cylinder Size	Not Applicable			
Maximum Hydraulic Pressure	Not Applicable			
Manual Angle Adjustment	0°, 15°, 30° left & 0°, 15°, 30° right			
Cutting Edge (AR450)	5/16" x 6" replaceable & reversible			
Spring Trip Load	1100 lbs			
Weight with Cutting Edge	335 lbs	357 lbs	380 lbs	525 lbs

Quick Attach Mount

Quick attach auger mounts:	JD Hook & Pin - Compatible with: D120, 120R, 220R, 300E, 300R, 320R, 400E, 400R, 400X and 5 Series			
Overall length	53.5"			
Overall height	20.15"			
Overall Width	11.5"			
Front and Rear beam construction	3" x 3" x 3/16" (7.5cm x 7.5cm x 4.76mm) Square Tubing			
Frame Construction	1/4" Plates construction with 3/8" quick attach mounting plates			



CUSTOMER APPROVAL :

DATE :



THIS DRAWING, WHICH CONTAINS PROPRIETARY INFORMATION, IS THE PROPERTY OF JAMESTOWN ADVANCED PRODUCTS CORPORATION. IT SHALL NOT BE REPRODUCED IN ANY MANNER NOR DISCLOSED TO THIRD PARTIES WITHOUT WRITTEN PERMISSION OF JAMESTOWN ADVANCED PRODUCTS CORPORATION.

DATE : 10/28/24

PRODUCT PART NUMBER : HI-P-SPM-JD-XX

REV. NO. 1

PRODUCT DESCRIPTION :
PINNACLE SNOW PLOW MANUAL- JOHN DEERE

2855 GIRTS ROAD
JAMESTOWN, NY 14701