

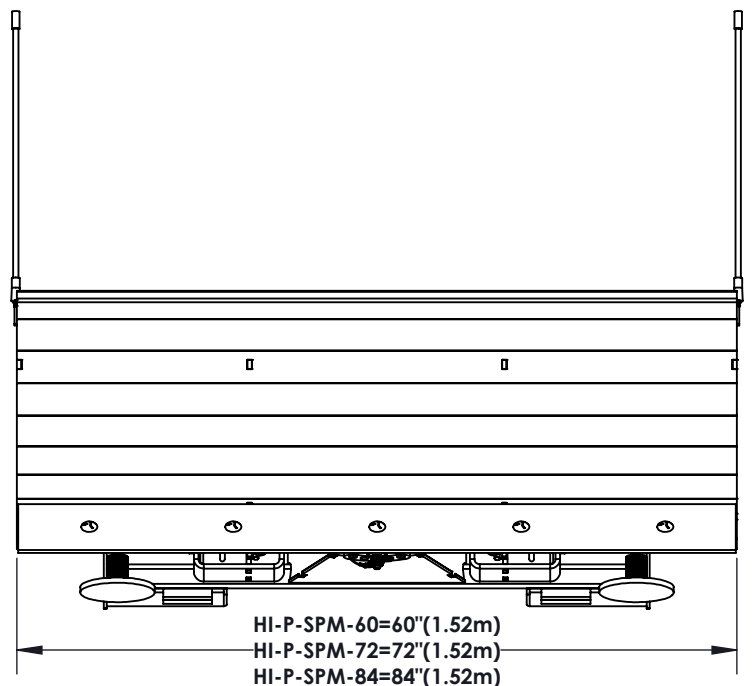
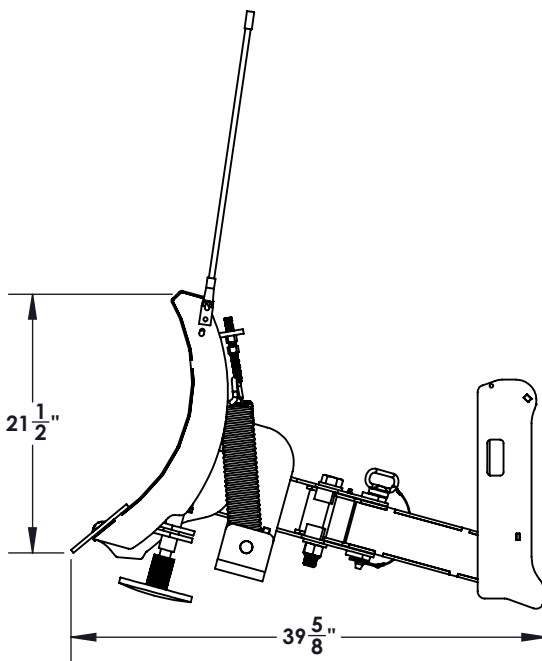
Homestead Implements Pinnacle Series Manual Adjustment Snow Plow

Technical Specification

Model Numbers	HI-P-SPM-60	HI-P-SPM-72	HI-P-SPM-84
Recommended Tractor HP	Up to 55 HP		
Moldboard Thickness	10 Ga. (0.135")		
Maximum Cutting Width	60"	72"	84"
Cutting Width @ 30° Angle	52"	62 3/8"	72 3/4"
Moldboard Height (With Blade)	24 3/4"		
Maximum Blade Tilt Angle	30° left & 30° right		
Manual Angle Adjustment	0°, 15°, 30° left & 0°, 15°, 30° right		
Cutting Edge	5/16" x 6" Replaceable & Reversible HARDOX® 450		
Spring Trip Load	1100 lbs.		
Weight with Cutting Edge	335 lbs.	357 lbs.	380 lbs.

Universal Quick-Attach (SSQA)

Quick-Attach Mounts	Fits Mechanical Quick-Attach Coupler		
Overall Length	45.5"		
Overall Height	20.15"		
Overall Width	11.5"		
Front and Rear Beam Construction	3" x 3" x 3/16" (7.5cm x 7.5cm x 4.76mm) Square Tubing		
Frame Construction	1/4" Plates construction with 3/8" quick attach mounting plates		



CUSTOMER APPROVAL :

DATE :



THIS DRAWING, WHICH CONTAINS PROPRIETARY INFORMATION, IS THE PROPERTY OF JAMESTOWN ADVANCED PRODUCTS CORPORATION. IT SHALL NOT BE REPRODUCED IN ANY MANNER NOR DISCLOSED TO THIRD PARTIES WITHOUT WRITTEN PERMISSION OF JAMESTOWN ADVANCED PRODUCTS CORPORATION.

DATE : **04/20/2022**

PRODUCT PART NUMBER : **HI-P-SPM**

REV. NO.

PRODUCT DESCRIPTION :

PINNACLE SNOW PLOW MANUAL

2855 GIRTS ROAD
JAMESTOWN, NY 14701