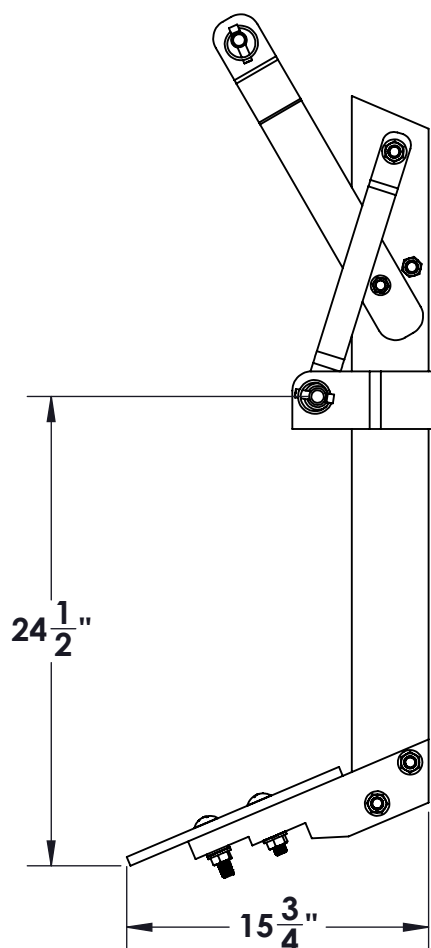
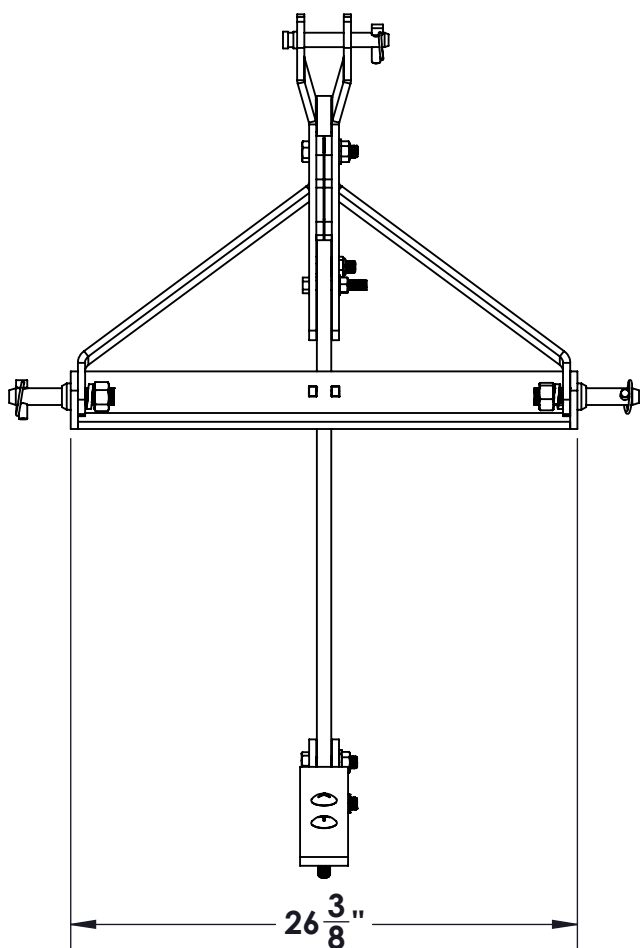


Homestead Implements Pinnacle Series Subsoiler Category-1

Technical Specification

Model Numbers	HI-P-SS1
Horsepower	20 to 50 hp (14.9-37.3 kw)
Weight	104 lbs. (48 kg)
Hitch type	3-point Cat. 1 (No Quick Hitch Compatibility)
Width	16"
Height	44"
Max. Cutting Depth	22"
Number of Shanks	1
Cutting Point	1/2" X 2 1/2" X 12" (HARDOX 450)
Shank Size	3/4" x 4" wide (A572 GRADE 50)



THIS DRAWING, WHICH CONTAINS PROPRIETARY INFORMATION, IS THE PROPERTY OF JAMESTOWN ADVANCED PRODUCTS CORPORATION. IT SHALL NOT BE REPRODUCED IN ANY MANNER NOR DISCLOSED TO THIRD PARTIES WITHOUT WRITTEN PERMISSION OF JAMESTOWN ADVANCED PRODUCTS CORPORATION.

DATE : 12/19/22

PRODUCT PART NUMBER : HI-P-SS1

REV. NO.

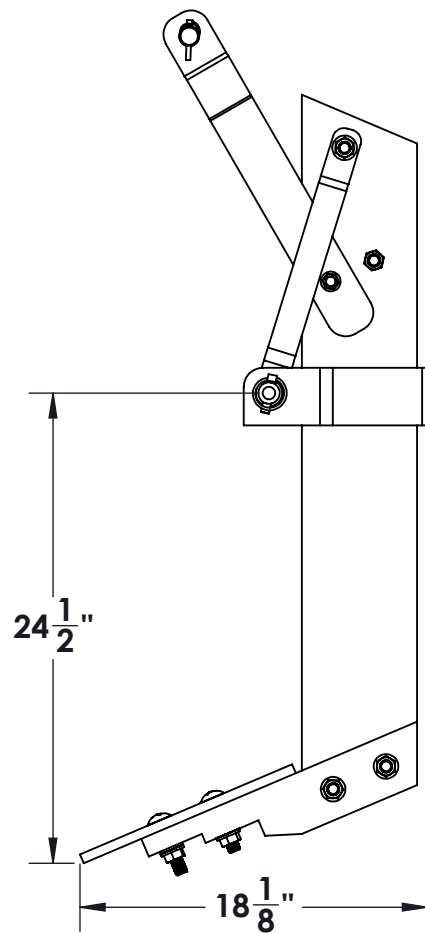
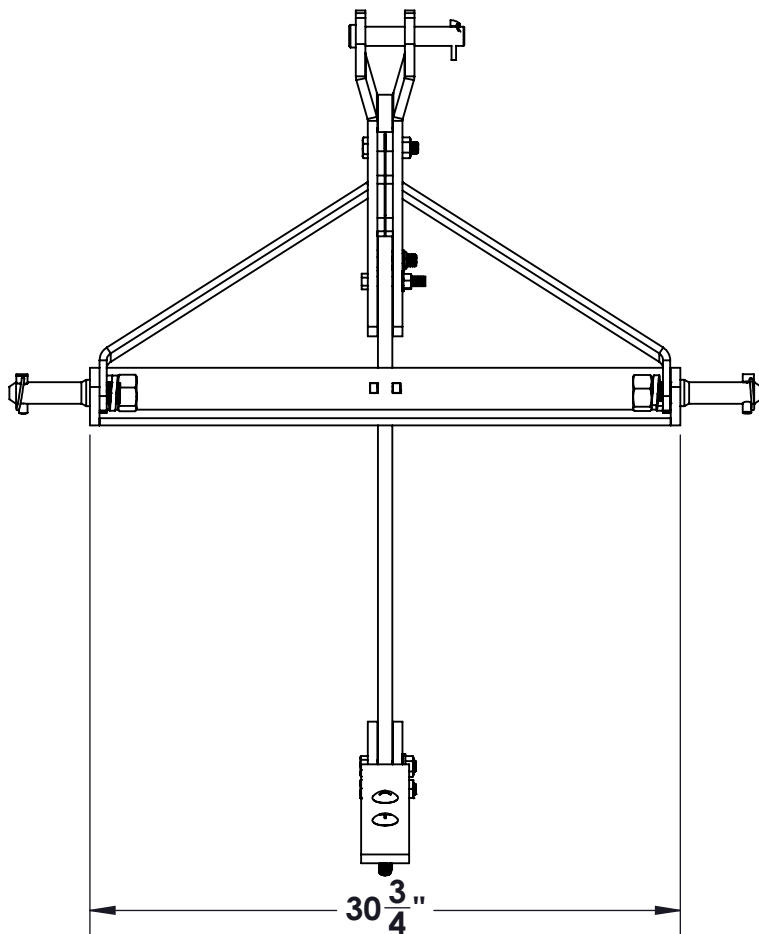
PRODUCT DESCRIPTION :
PINNACLE SUBSOILER CAT 1

2855 GIRTS ROAD
JAMESTOWN, NY 14701

Homestead Implements Pinnacle Series Subsoiler Category-2

Technical Specification

Model Numbers	HI-P-SS2
Horsepower	20 to 50 hp (14.9-37.3 kw)
Weight	138 lbs (63 kg)
Hitch type	3-point Cat. 2 (No Quick Hitch Compatibility)
Width	18"
Height	44"
Max. Cutting Depth	22"
Number of Shanks	1
Cutting Point	1/2" X 2 1/2" X 12" (HARDOX 450)
Shank Size	3/4" x 6" wide (A572 GRADE 50)



THIS DRAWING, WHICH CONTAINS PROPRIETARY INFORMATION, IS THE PROPERTY OF JAMESTOWN ADVANCED PRODUCTS CORPORATION. IT SHALL NOT BE REPRODUCED IN ANY MANNER NOR DISCLOSED TO THIRD PARTIES WITHOUT WRITTEN PERMISSION OF JAMESTOWN ADVANCED PRODUCTS CORPORATION.

DATE : 12/19/22

PRODUCT PART NUMBER : HI-P-SS2

REV. NO.

PRODUCT DESCRIPTION :
PINNACLE SUBSOILER CAT 2

2855 GIRTS ROAD
JAMESTOWN, NY 14701

