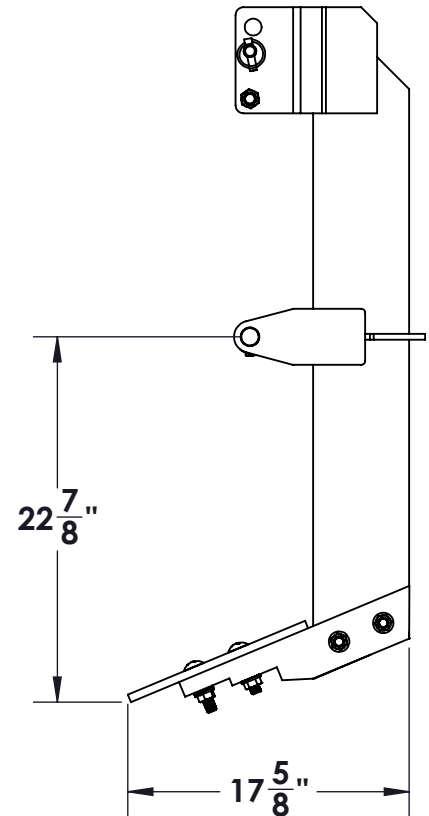
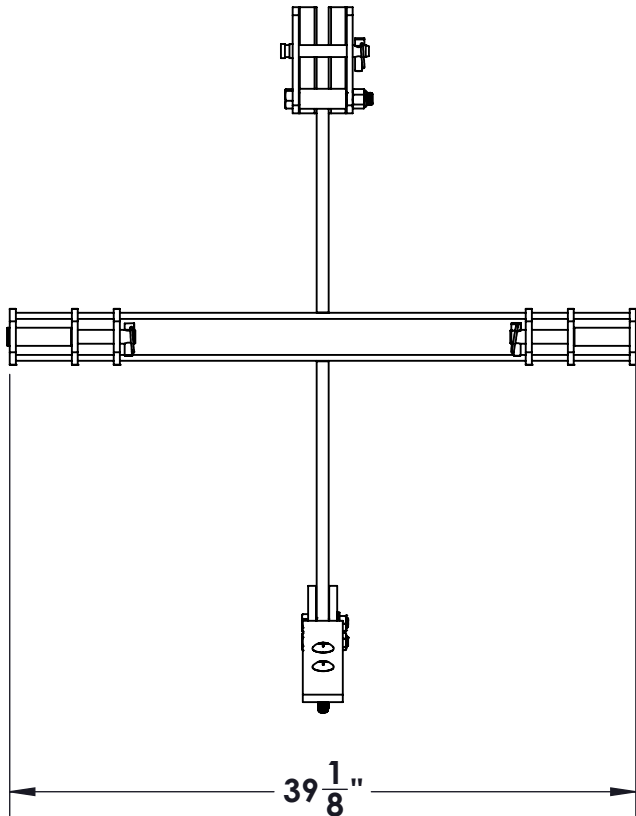


Homestead Implements Pinnacle Series Subsoiler Category-1&2

Technical Specification

Model Numbers	HI-P-SSHD
Horsepower	20 to 50 hp (14.9-37.3 kw)
Weight	127 lbs. (58 kg)
Hitch type	3-point Cat. 1 & Cat.2 Quick Hitch Compatible
Width	18"
Height	43.5"
Frame Tubing Size	4" x 3" x 3/16" Wall Thickness Rectangular Tubing
Max. Cutting Depth	21"
Number of Shanks	1
Cutting Point	1/2" X 2 1/2" X 12" (HARDOX 450)
Shank Size	3/4" x 6" wide (A572 GRADE 50)



THIS DRAWING, WHICH CONTAINS PROPRIETARY INFORMATION, IS THE PROPERTY OF JAMESTOWN ADVANCED PRODUCTS CORPORATION. IT SHALL NOT BE REPRODUCED IN ANY MANNER NOR DISCLOSED TO THIRD PARTIES WITHOUT WRITTEN PERMISSION OF JAMESTOWN ADVANCED PRODUCTS CORPORATION.

DATE :12/19/22

PRODUCT PART NUMBER : HI-P-SSHD

REV. NO.

PRODUCT DESCRIPTION :
CAT1/CAT2 SUBSOILER

2855 GIRTS ROAD
JAMESTOWN, NY 14701