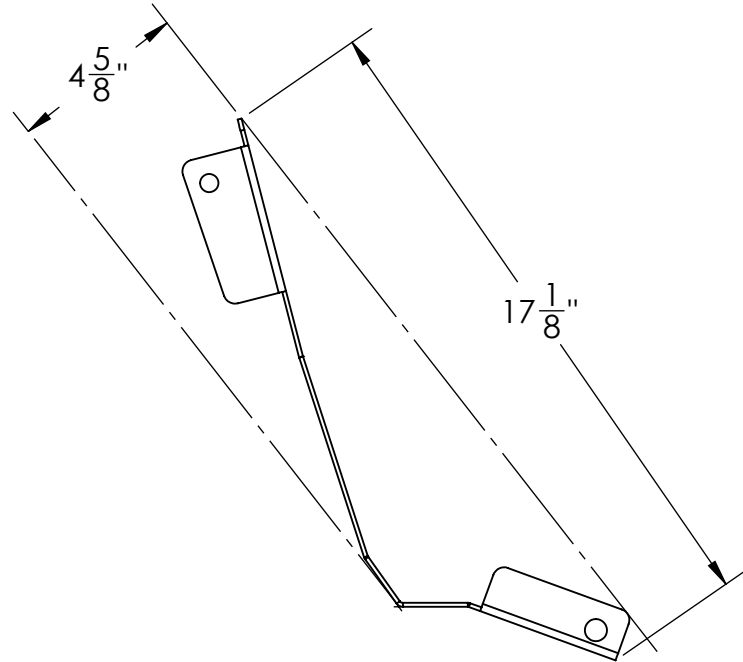
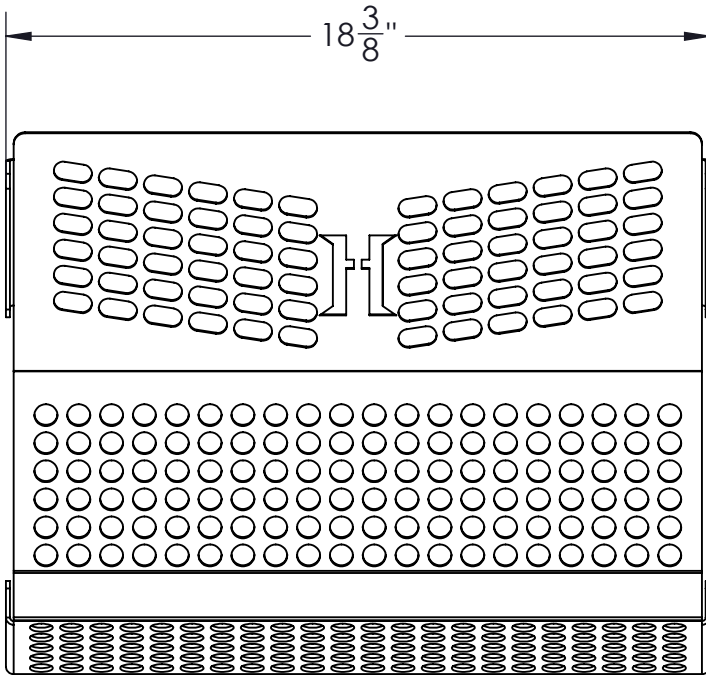
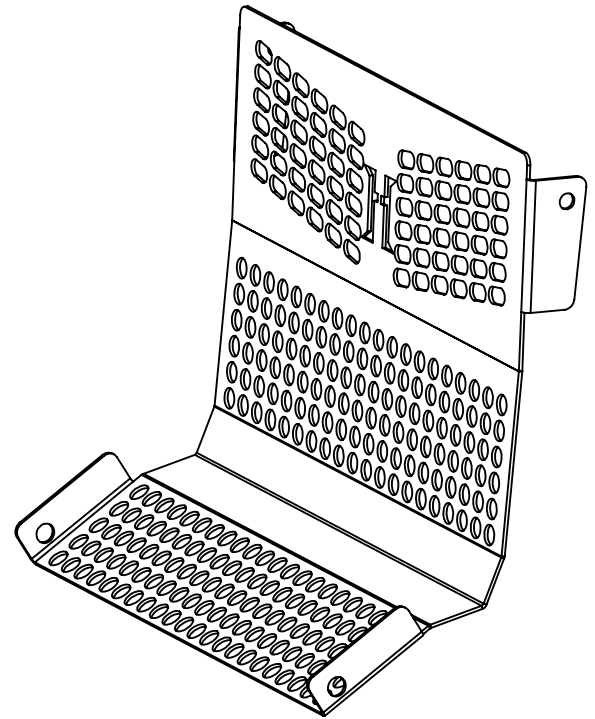


HOMESTEAD GRILL GUARD

SPECIFICATIONS

DIMENSIONS	18-3/8" X 17-1/8" X 4-5/8"
WEIGHT	8 LBS.
MATERIAL	12 GA. (0.105") THICK CARBON STEEL
HARDWARE	(2X) - 5/16"-18 BOLT AND NYLOCK NUT PROVIDED
POWDER COAT OPTIONS	GREEN, BLACK
SUPPORTED TRACTORS	3033R, 3038R, 3039R, 3045R & 3046R
SUPPORTED LOADERS	300R



THIS DRAWING, WHICH CONTAINS PROPRIETARY INFORMATION, IS THE PROPERTY OF JAMESTOWN ADVANCED PRODUCTS CORPORATION. IT SHALL NOT BE REPRODUCED IN ANY MANNER NOR DISCLOSED TO THIRD PARTIES WITHOUT WRITTEN PERMISSION OF JAMESTOWN ADVANCED PRODUCTS CORPORATION.

PRODUCT PART NUMBER : JD1

PRODUCT DESCRIPTION:JOHN DEERE GRILL GUARD - JD1

DATE :5/2/23

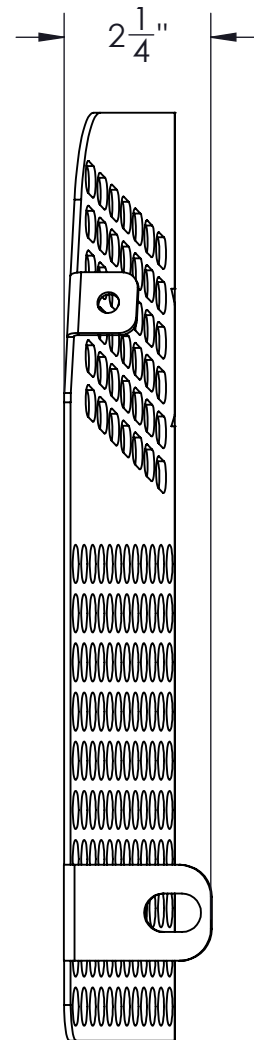
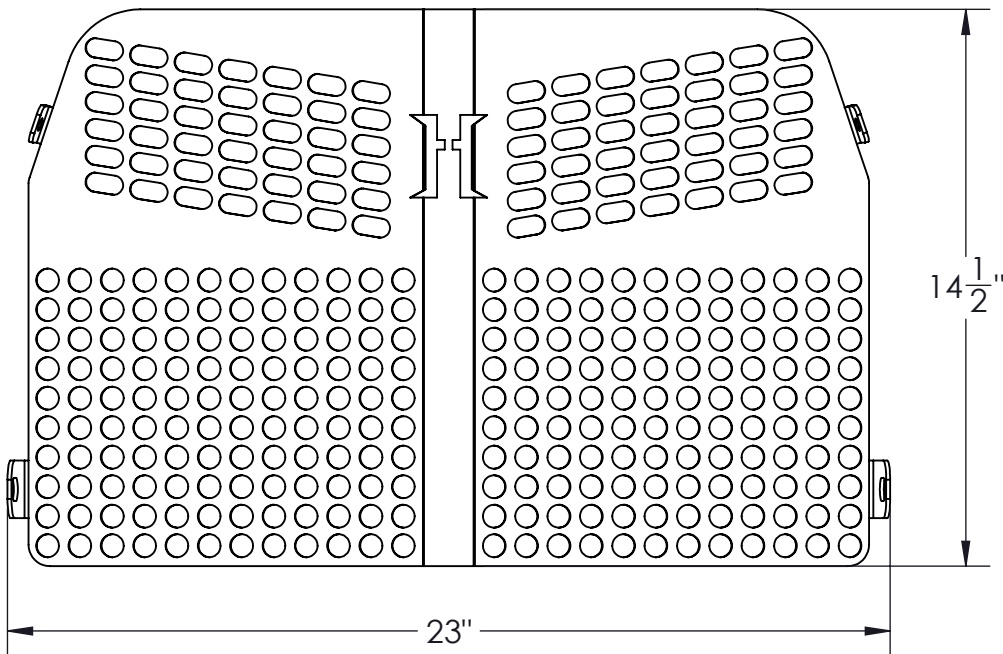
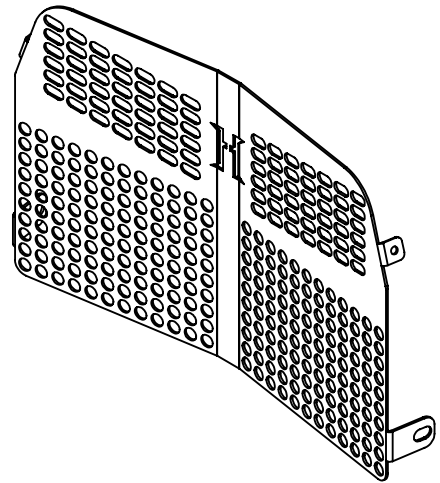
REV. NO.

2855 GIRTS ROAD
JAMESTOWN, NY 14701

HOMESTEAD GRILL GUARD

SPECIFICATIONS

DIMENSIONS	23" X 14-1/2" X 2-1/4"
WEIGHT	6.34 LBS.
MATERIAL	12 GA. (0.105") THICK CARBON STEEL
HARDWARE	(2X) - 5/16"-18 BOLT NYLOCK NUT & FLAT WASHERS PROVIDED
POWDER COAT OPTIONS	GREEN, BLACK
SUPPORTED TRACTORS	3032E,3036E,3038E
SUPPORTED LOADERS	300E



THIS DRAWING, WHICH CONTAINS PROPRIETARY INFORMATION, IS THE PROPERTY OF JAMESTOWN ADVANCED PRODUCTS CORPORATION. IT SHALL NOT BE REPRODUCED IN ANY MANNER NOR DISCLOSED TO THIRD PARTIES WITHOUT WRITTEN PERMISSION OF JAMESTOWN ADVANCED PRODUCTS CORPORATION.

DATE :5/24/23



PRODUCT PART NUMBER : JD2

REV. NO.

PRODUCT DESCRIPTION:JOHN DEERE GRILL GUARD - JD2

2855 GIRTS ROAD
JAMESTOWN, NY 14701