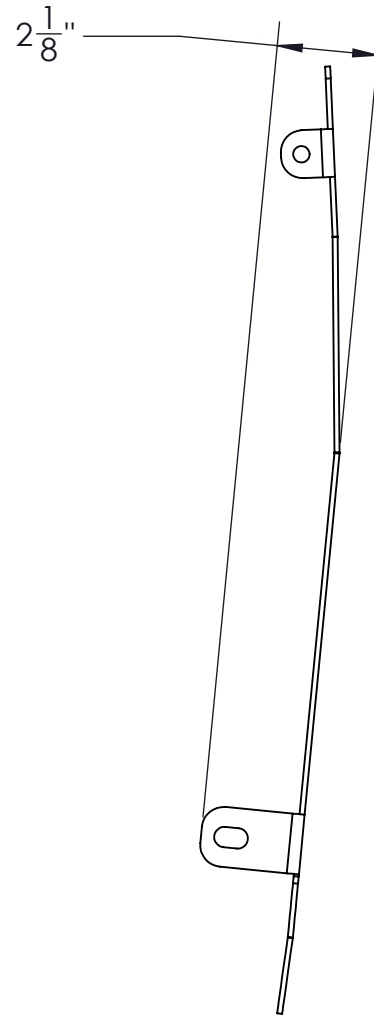
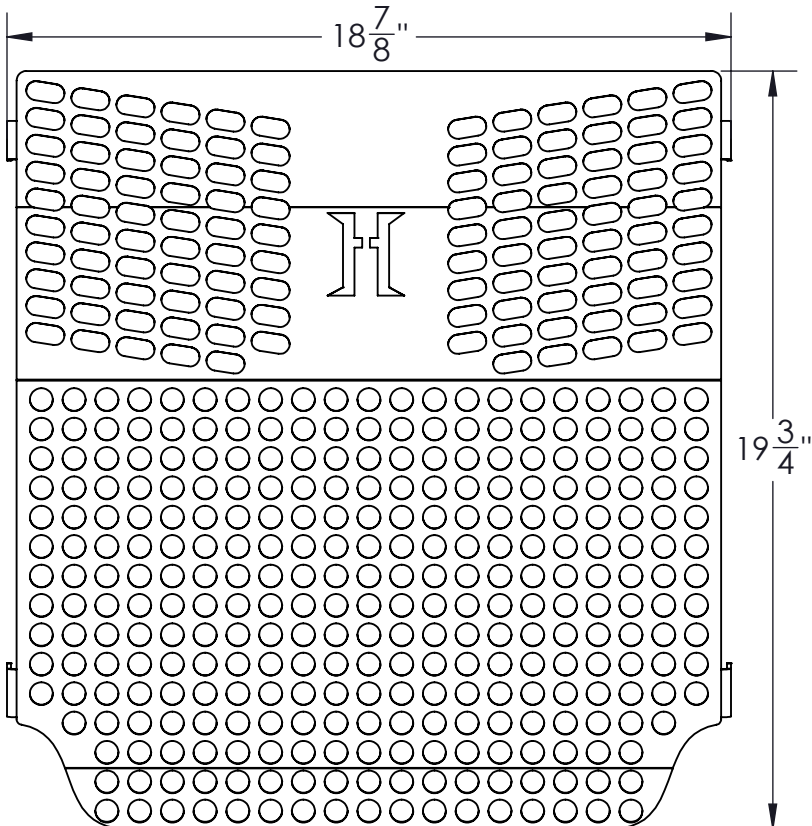
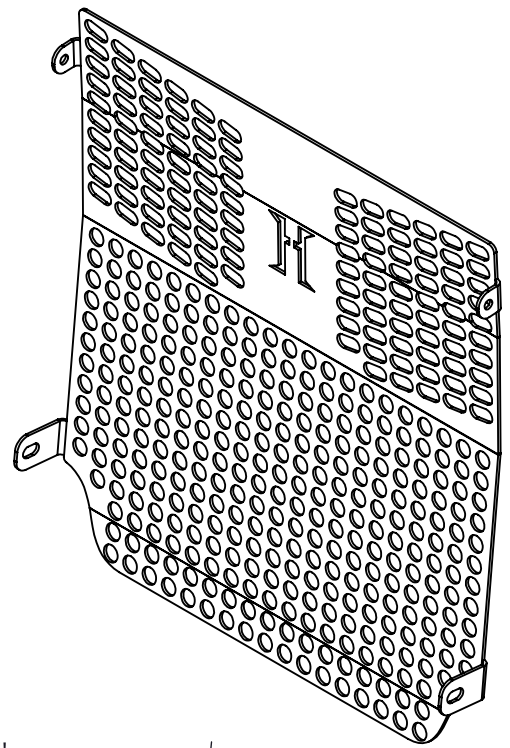


HOMESTEAD GRILL GUARD KI1

SPECIFICATIONS

DIMENSIONS	19-3/4" X 18-7/8" X 2-1/8"
WEIGHT	6.603 LBS.
MATERIAL	12 GA. (0.105") THICK CARBON STEEL
HARDWARE	(2X) - 5/16"-18 BOLT ,NYLOCK NUT AND (4X) - FLAT WASHERS PROVIDED
POWDER COAT OPTIONS	ORANGE, BLACK
SUPPORTED TRACTORS	CK2610, CK3510, CK4010, CK2620, CK3520, CK4020
SUPPORTED LOADERS	KL4030



THIS DRAWING, WHICH CONTAINS PROPRIETARY INFORMATION, IS THE PROPERTY OF JAMESTOWN ADVANCED PRODUCTS CORPORATION. IT SHALL NOT BE REPRODUCED IN ANY MANNER NOR DISCLOSED TO THIRD PARTIES WITHOUT WRITTEN PERMISSION OF JAMESTOWN ADVANCED PRODUCTS CORPORATION.

PRODUCT PART NUMBER : HI-P-GG-KI1

PRODUCT DESCRIPTION :KIOTI GRILL GUARD
-KI1

DATE :10/11/23

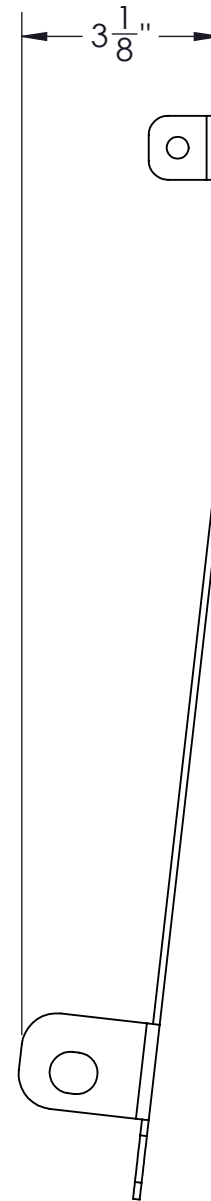
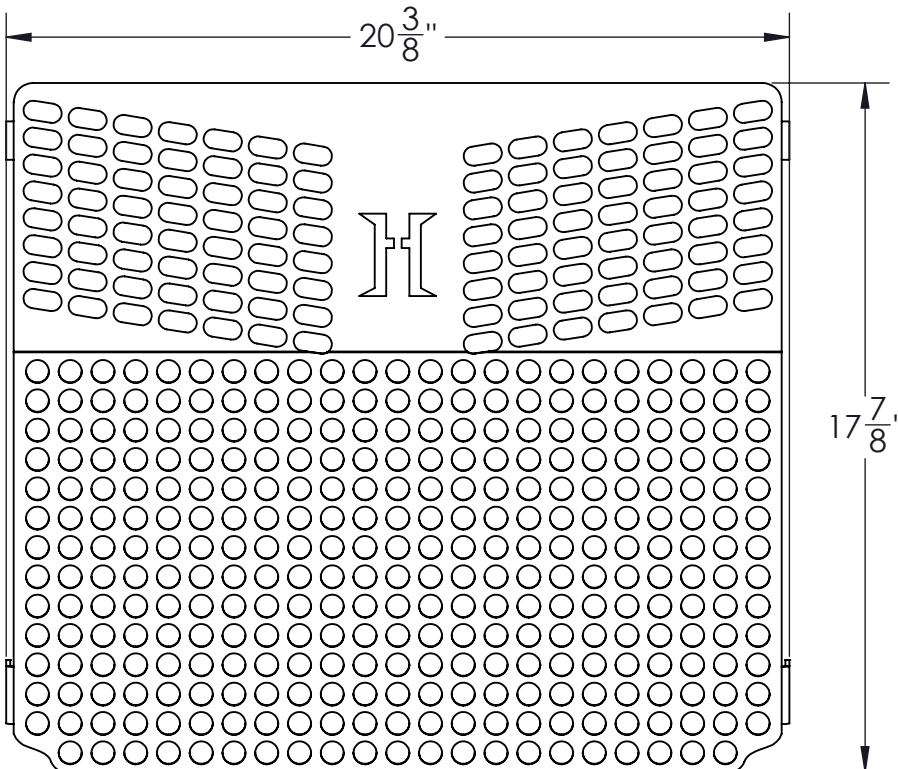
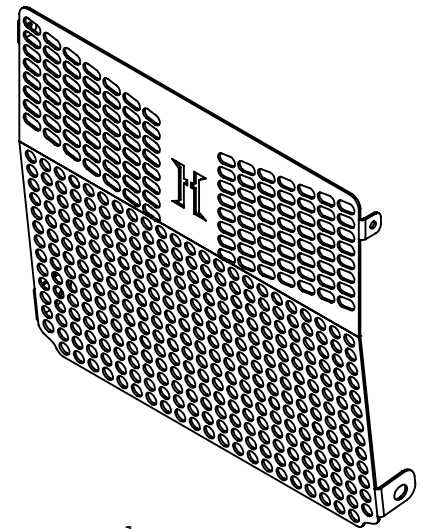
REV. NO.

2855 GIRTS ROAD
JAMESTOWN, NY 14701

HOMESTEAD GRILL GUARD

SPECIFICATIONS

DIMENSIONS	20-3/8" X 17-7/8" X 3-1/8"
WEIGHT	6.627 LBS.
MATERIAL	12 GA. (0.105") THICK CARBON STEEL
HARDWARE	(2X) - 5/16"-18 BOLT , NYLOCK NUT AND (4X) - FLAT WASHERS PROVIDED
POWDER COAT OPTIONS	ORANGE, BLACK
SUPPORTED TRACTORS	CK 10 & 20 SERIES, DK 10 & 20 SERIES (THAT HAVE 6 BOLTS ATTACHING THE BRUSH GUARD TO THE TRACTOR FRAME).
SUPPORTED LOADERS	KL4030C, KL5510, KL5520



THIS DRAWING, WHICH CONTAINS PROPRIETARY INFORMATION, IS THE PROPERTY OF JAMESTOWN ADVANCED PRODUCTS CORPORATION. IT SHALL NOT BE REPRODUCED IN ANY MANNER NOR DISCLOSED TO THIRD PARTIES WITHOUT WRITTEN PERMISSION OF JAMESTOWN ADVANCED PRODUCTS CORPORATION.

PRODUCT PART NUMBER : HI-P-GG-KI2

PRODUCT DESCRIPTION :KIOTI GRILL GUARD
-KI2

DATE :01/15/24

REV. NO.

2855 GIRTS ROAD
JAMESTOWN, NY 14701