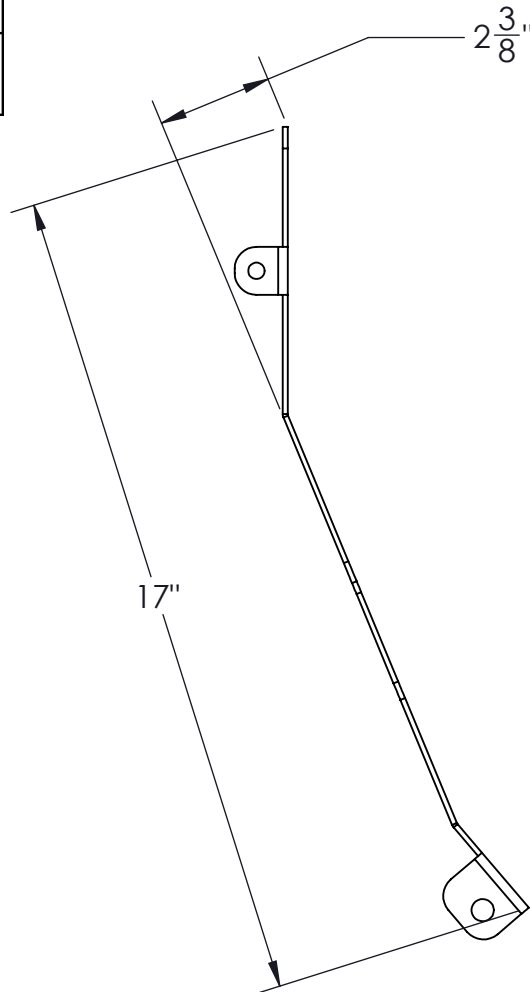
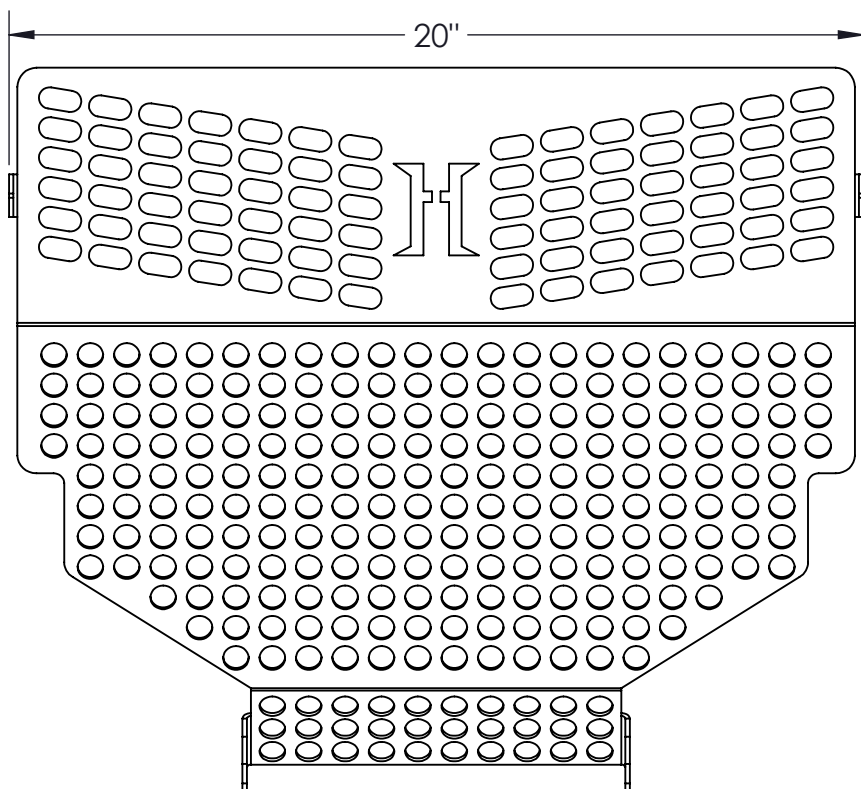
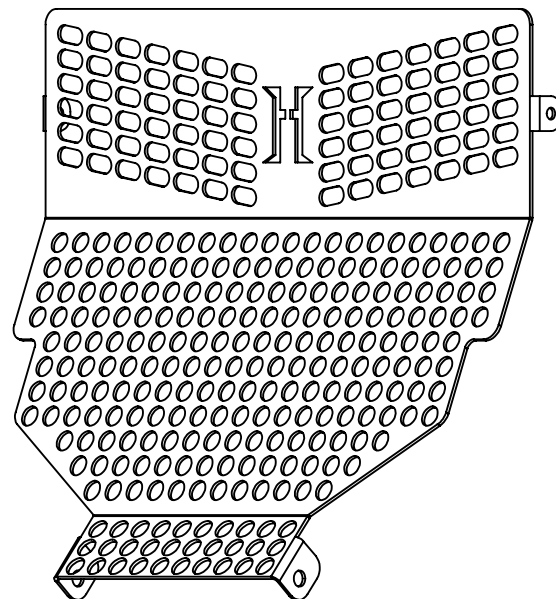


HOMESTEAD GRILL GUARD

SPECIFICATIONS

DIMENSIONS	20" X 17" X 2-3/8"
WEIGHT	6 LBS.
MATERIAL	12 GA. (0.105") THICK CARBON STEEL
HARDWARE	(2X) - 5/16"-18 BOLT AND NYLOCK NUT PROVIDED
POWDER COAT OPTIONS	ORANGE, BLACK
SUPPORTED TRACTORS	BX1880, BX2380, BX2680, BX23S
SUPPORTED LOADERS	L340, L344



THIS DRAWING, WHICH CONTAINS PROPRIETARY INFORMATION, IS THE PROPERTY OF JAMESTOWN ADVANCED PRODUCTS CORPORATION. IT SHALL NOT BE REPRODUCED IN ANY MANNER NOR DISCLOSED TO THIRD PARTIES WITHOUT WRITTEN PERMISSION OF JAMESTOWN ADVANCED PRODUCTS CORPORATION.

PRODUCT PART NUMBER : HI-P-GG-KU1

PRODUCT DESCRIPTION : KUBOTA GRILL GUARD -KU1

DATE : 5/2/23

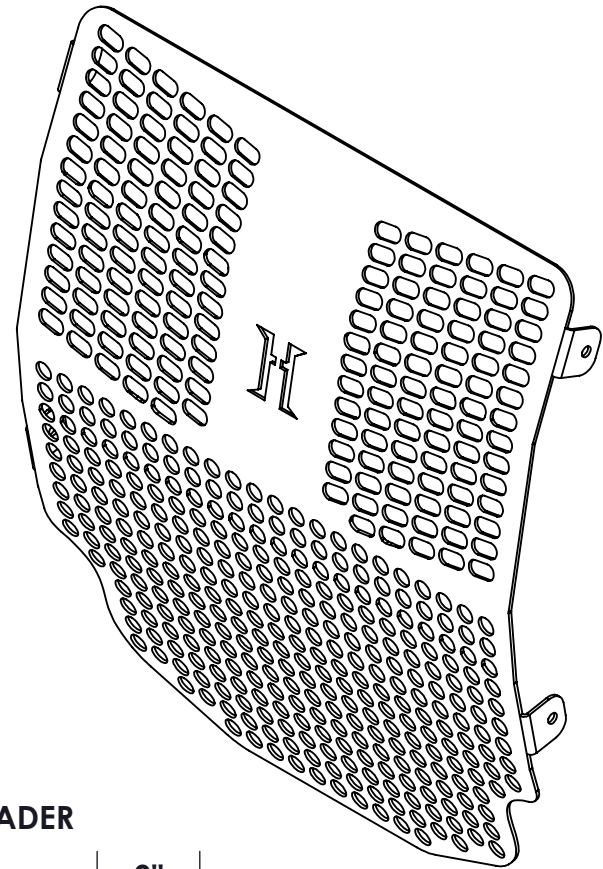
REV. NO.

2855 GIRTS ROAD
JAMESTOWN, NY 14701

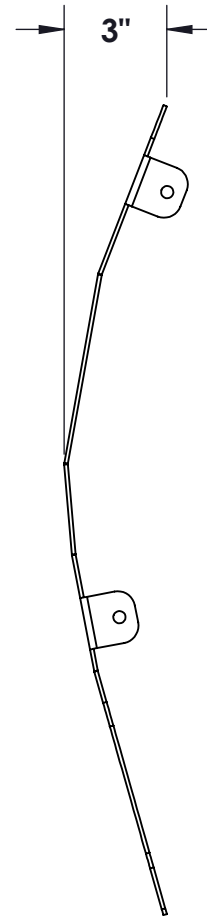
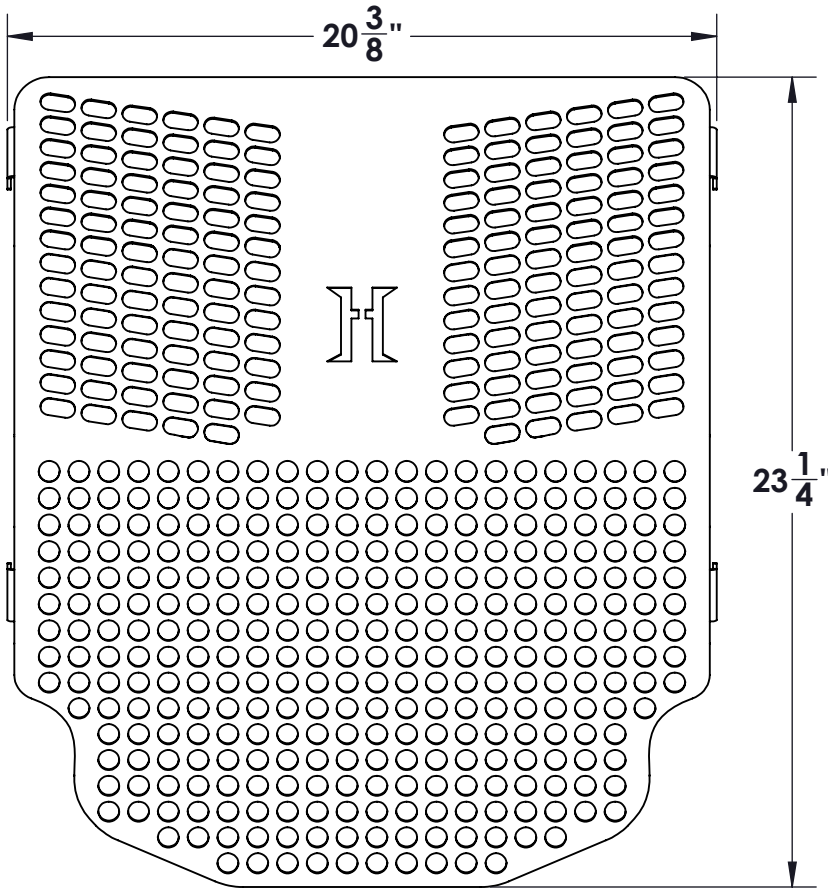
HOMESTEAD GRILL GUARD

SPECIFICATIONS

DIMENSIONS	20-3/8" X 23-1/4" X 3"
WEIGHT	9 LBS.
MATERIAL	12 GA. (0.105") THICK CARBON STEEL
HARDWARE	(4X) - 5/16" -18 BOLT AND NYLOCK NUT PROVIDED
POWDER COAT OPTIONS	ORANGE, BLACK
SUPPORTED TRACTORS	L2501, L3301, L3901, L4701, MX4800, MX5200, MX5400, MX5800, MX6000, 2011-2014 L3200 & L3800
SUPPORTED LOADERS	LA525, LA1065



THIS GRILL GUARD IS NOT COMPATIBLE WITH THE NEW LA526 LOADER ON THE NEW L SERIES TRACTORS



THIS DRAWING, WHICH CONTAINS PROPRIETARY INFORMATION, IS THE PROPERTY OF JAMESTOWN ADVANCED PRODUCTS CORPORATION. IT SHALL NOT BE REPRODUCED IN ANY MANNER NOR DISCLOSED TO THIRD PARTIES WITHOUT WRITTEN PERMISSION OF JAMESTOWN ADVANCED PRODUCTS CORPORATION.



PRODUCT PART NUMBER : HI-P-GG-KU2

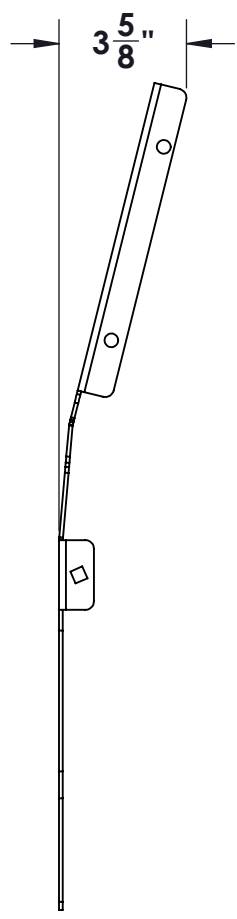
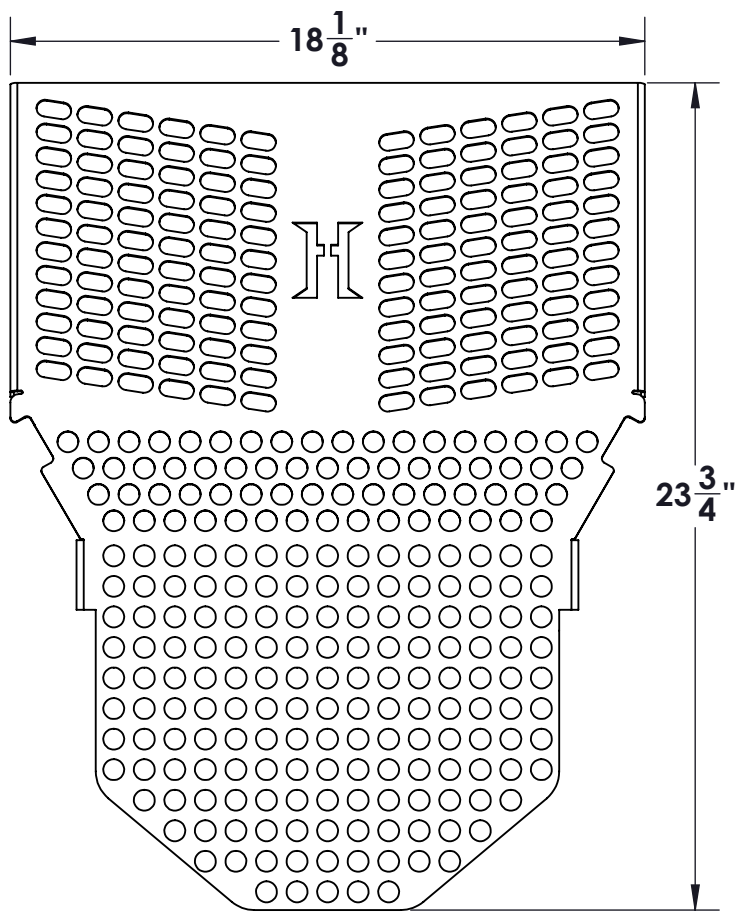
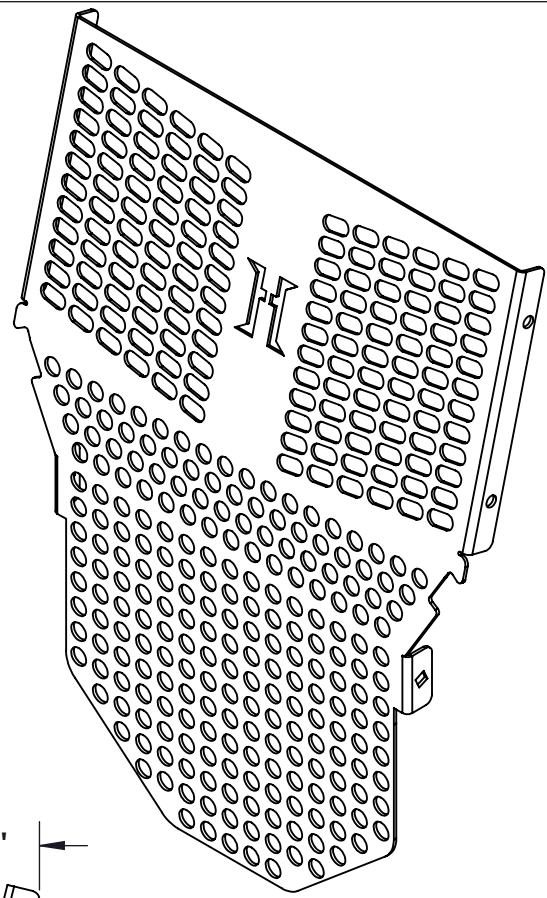
PRODUCT DESCRIPTION : KUBOTA GRILL GUARD - KU2

DATE : 5/2/23

REV. NO.

2855 GIRTS ROAD
JAMESTOWN, NY 14701

HOMESTEAD GRILL GUARD	
SPECIFICATIONS	
DIMENSIONS	18-1/8" X 23-3/4" X 3-5/8"
WEIGHT	8 LBS.
MATERIAL	12 GA. (0.105") THICK CARBON STEEL
HARDWARE	(6X) - 5/16" CARRIAGE BOLT AND NYLOCK NUT PROVIDED
POWDER COAT OPTIONS	ORANGE, BLACK
SUPPORTED TRACTORS	L2501, L2502, L3301, L3302, L3901, L3902
SUPPORTED LOADERS	LA526



THIS DRAWING, WHICH CONTAINS PROPRIETARY INFORMATION, IS THE PROPERTY OF JAMESTOWN ADVANCED PRODUCTS CORPORATION. IT SHALL NOT BE REPRODUCED IN ANY MANNER NOR DISCLOSED TO THIRD PARTIES WITHOUT WRITTEN PERMISSION OF JAMESTOWN ADVANCED PRODUCTS CORPORATION.

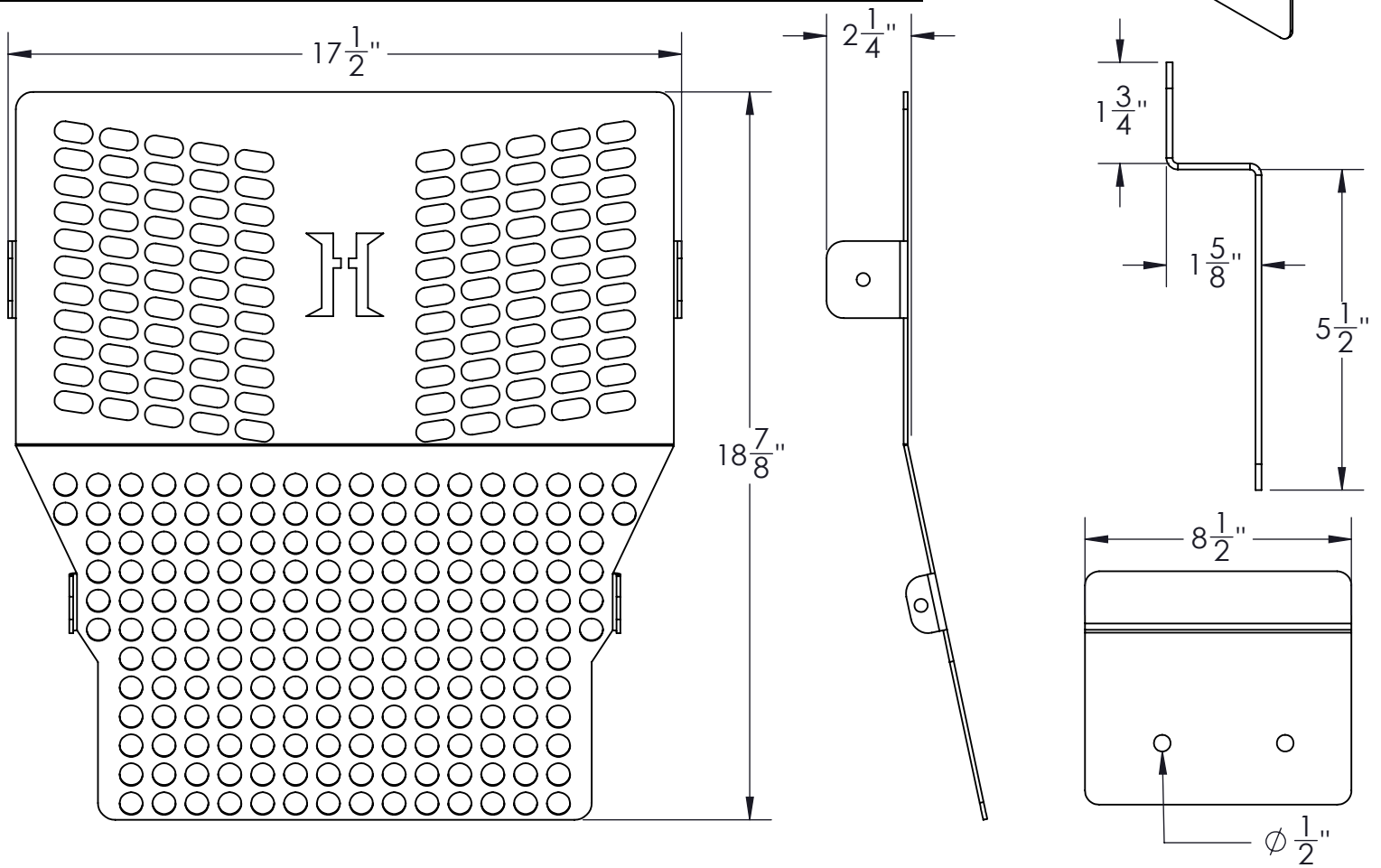
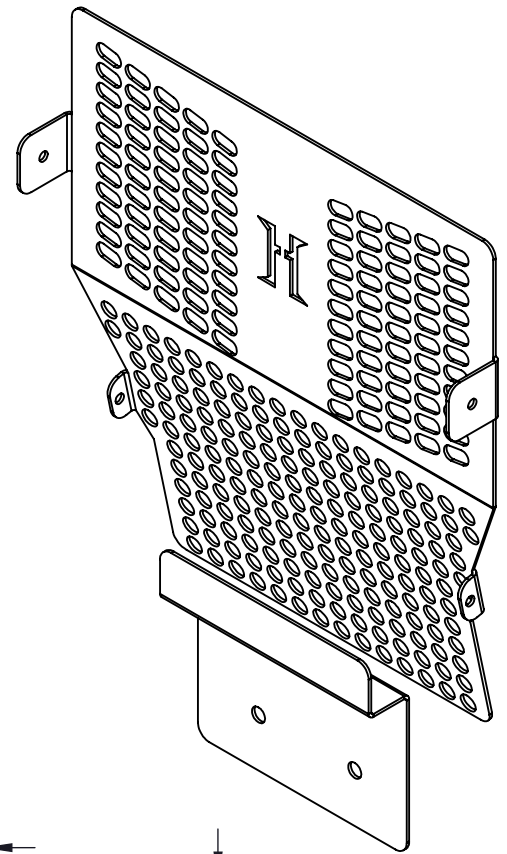
PRODUCT PART NUMBER : HI-P-GG-KU3
 PRODUCT DESCRIPTION : KUBOTA GRILL GUARD - KU3

DATE : 5/2/23
 REV. NO.
 2855 GIRTS ROAD
 JAMESTOWN, NY 14701

HOMESTEAD GRILL GUARD & PROTECTION PLATE

SPECIFICATIONS

DIMENSIONS	GRILL GUARD	PROTECTION PLATE
	17-1/2" X 18-7/8" X 2-1/4"	8-1/2" X 7-3/8" X 1-5/8"
WEIGHT	6 LBS.	2.185 LBS
MATERIAL	12 GA. (0.105") THICK CARBON STEEL	
HARDWARE	(4X) - 5/16"-18 BOLT AND NYLOCK NUT PROVIDED	(2X) - 1/2"-13 BOLT, SERRATED FLANGE NUT AND FLAT WASHER PROVIDED
POWDER COAT OPTIONS	ORANGE, BLACK	
SUPPORTED TRACTORS	LX2610, LX2610SU, LX3310	
SUPPORTED LOADERS	LA535	



THIS DRAWING, WHICH CONTAINS PROPRIETARY INFORMATION, IS THE PROPERTY OF JAMESTOWN ADVANCED PRODUCTS CORPORATION. IT SHALL NOT BE REPRODUCED IN ANY MANNER NOR DISCLOSED TO THIRD PARTIES WITHOUT WRITTEN PERMISSION OF JAMESTOWN ADVANCED PRODUCTS CORPORATION.

DATE :5/2/23

PRODUCT PART NUMBER : HI-P-GG-KU4

REV. NO.

PRODUCT DESCRIPTION : KUBOTA GRILL GUARD - KU4

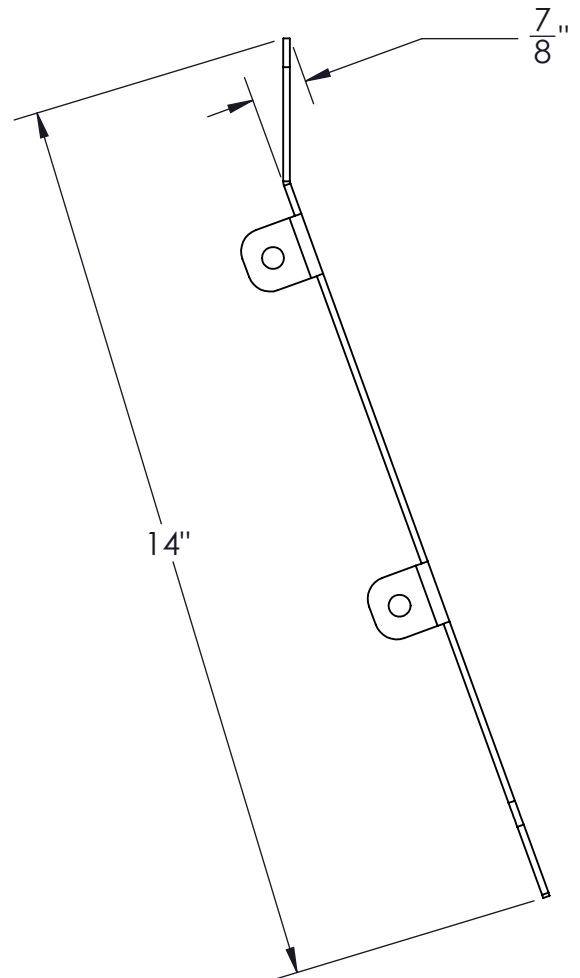
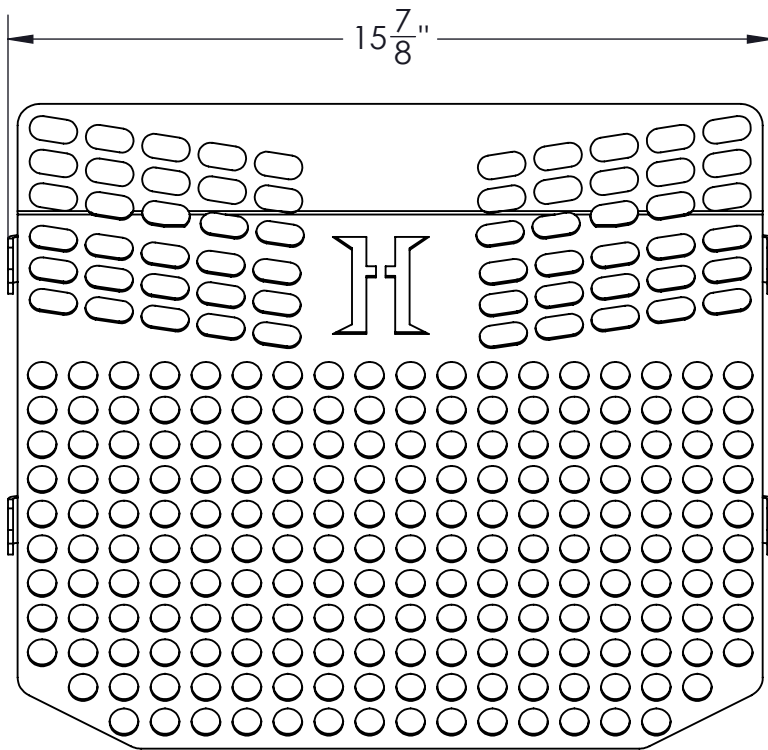
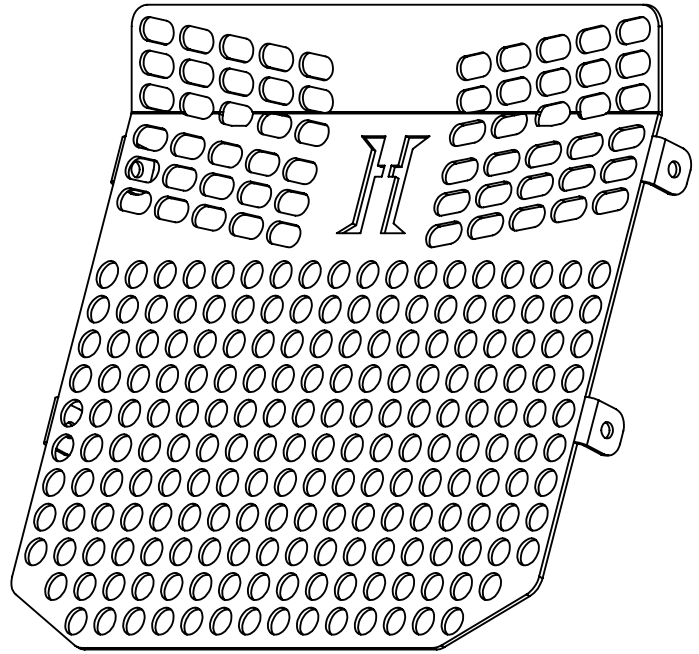
2855 GIRTS ROAD
JAMESTOWN, NY 14701



HOMESTEAD GRILL GUARD

SPECIFICATIONS

DIMENSIONS	15-7/8" X 14" X 7/8"
WEIGHT	4.06 LBS.
MATERIAL	12 GA. (0.105") THICK CARBON STEEL
HARDWARE	(4X) - 5/16"-18 BOLT AND NYLOCK NUT PROVIDED
POWDER COAT OPTIONS	ORANGE, BLACK
SUPPORTED TRACTORS	B2301, B2401, B2601
SUPPORTED LOADERS	LA434, LA435



THIS DRAWING, WHICH CONTAINS PROPRIETARY INFORMATION, IS THE PROPERTY OF JAMESTOWN ADVANCED PRODUCTS CORPORATION. IT SHALL NOT BE REPRODUCED IN ANY MANNER NOR DISCLOSED TO THIRD PARTIES WITHOUT WRITTEN PERMISSION OF JAMESTOWN ADVANCED PRODUCTS CORPORATION.

DATE :5/2/23

PRODUCT PART NUMBER : HI-P-GG-KU5

REV. NO.

PRODUCT DESCRIPTION : KUBOTA GRILL GUARD - KU5

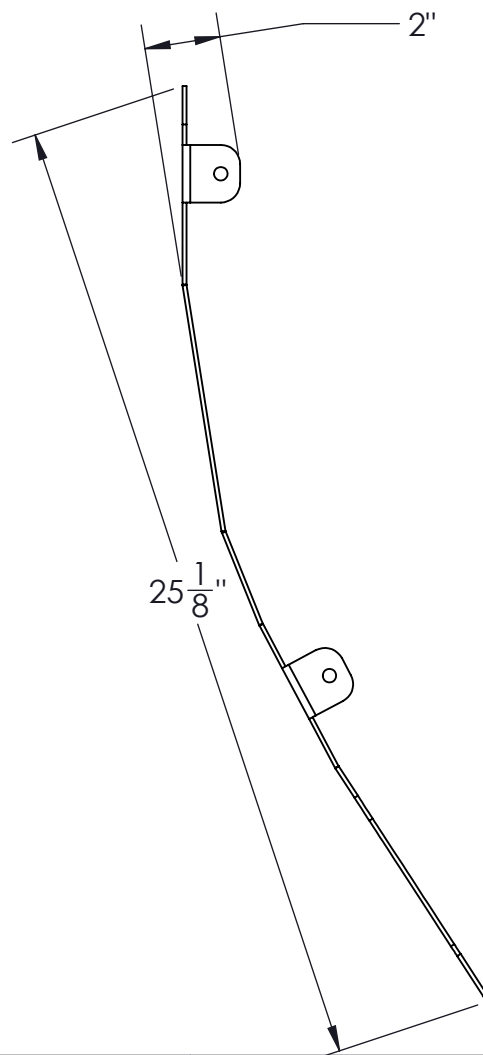
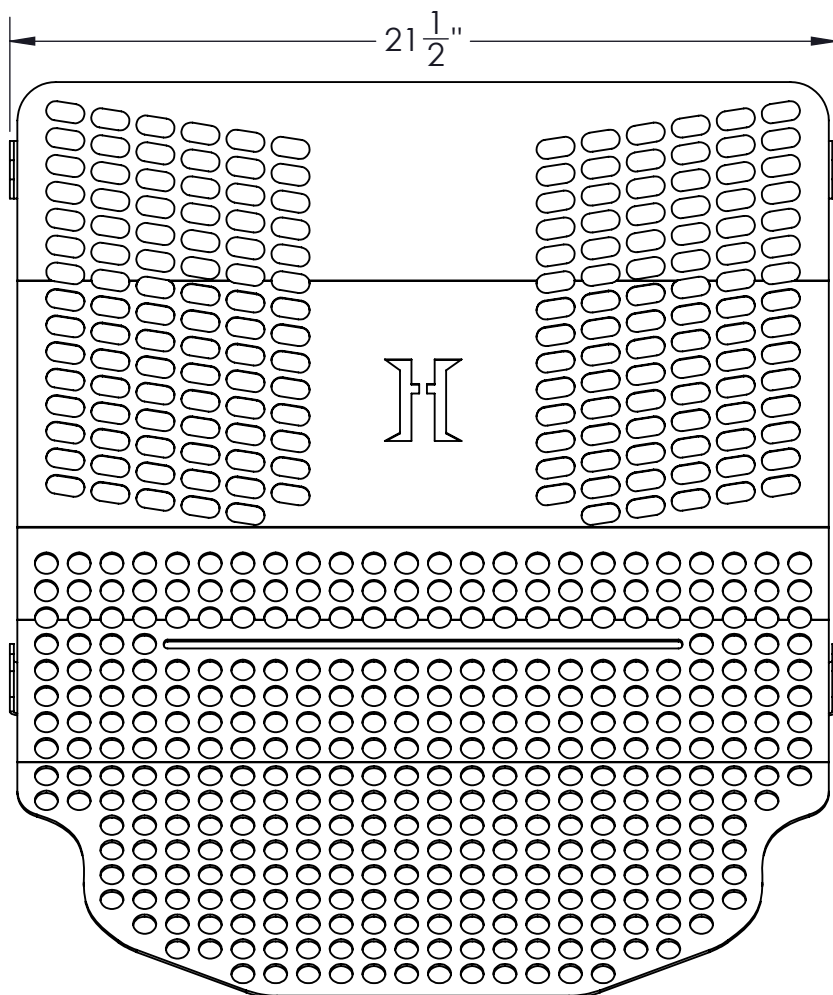
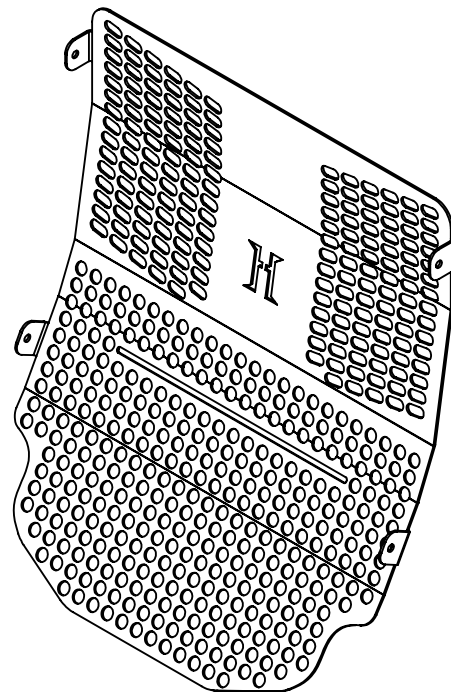
2855 GIRTS ROAD
JAMESTOWN, NY 14701



HOMESTEAD GRILL GUARD

SPECIFICATIONS

DIMENSIONS	21-1/2" X 25-1/8" X 2"
WEIGHT	10.06 LBS.
MATERIAL	12 GA. (0.105") THICK CARBON STEEL
HARDWARE	(4X) - 5/16" - 18 BOLT AND NYLOCK NUT PROVIDED
POWDER COAT OPTIONS	ORANGE, BLACK
SUPPORTED TRACTORS	L3560, L4060, L60LE
SUPPORTED LOADERS	LA805, LA555



THIS DRAWING, WHICH CONTAINS PROPRIETARY INFORMATION, IS THE PROPERTY OF JAMESTOWN ADVANCED PRODUCTS CORPORATION. IT SHALL NOT BE REPRODUCED IN ANY MANNER NOR DISCLOSED TO THIRD PARTIES WITHOUT WRITTEN PERMISSION OF JAMESTOWN ADVANCED PRODUCTS CORPORATION.

DATE :5/2/23

PRODUCT PART NUMBER : HI-P-GG-KU6

REV. NO.

PRODUCT DESCRIPTION :KUBOTA GRILL GUARD - KU6

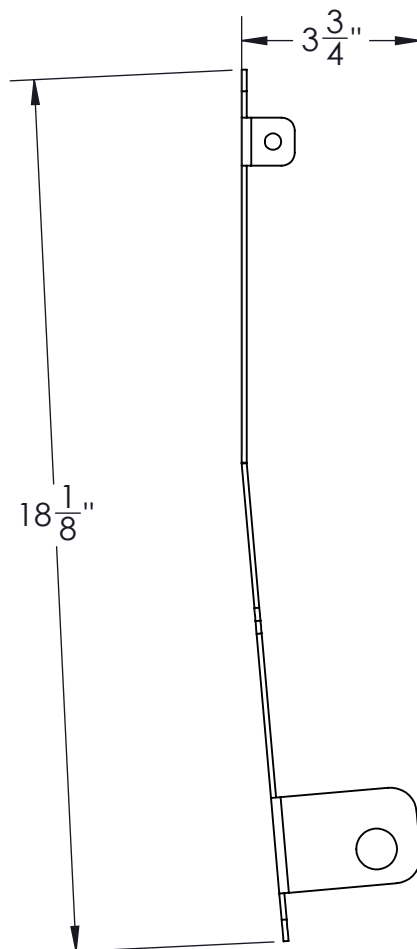
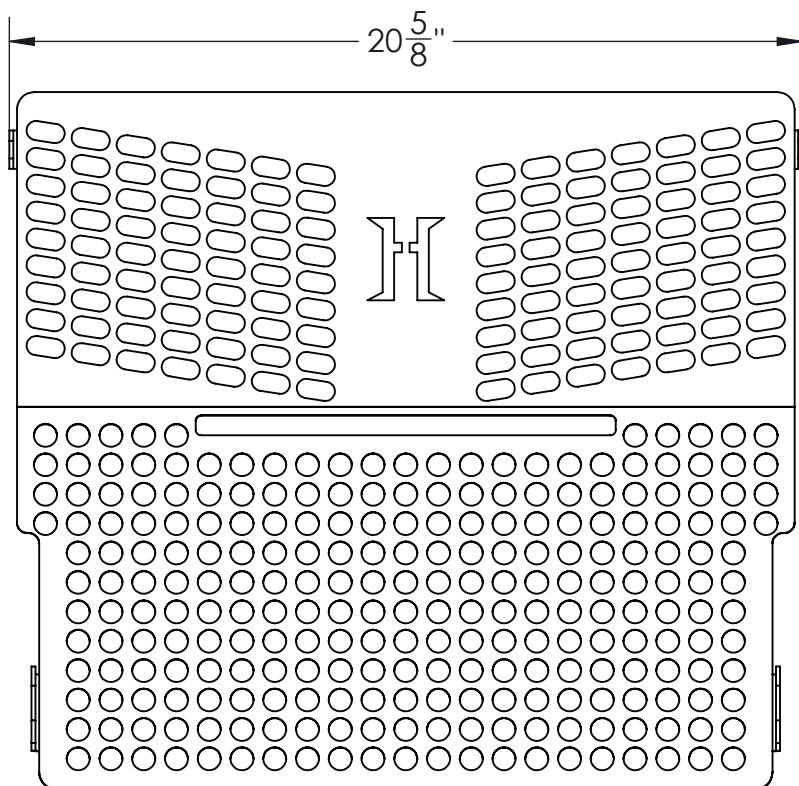
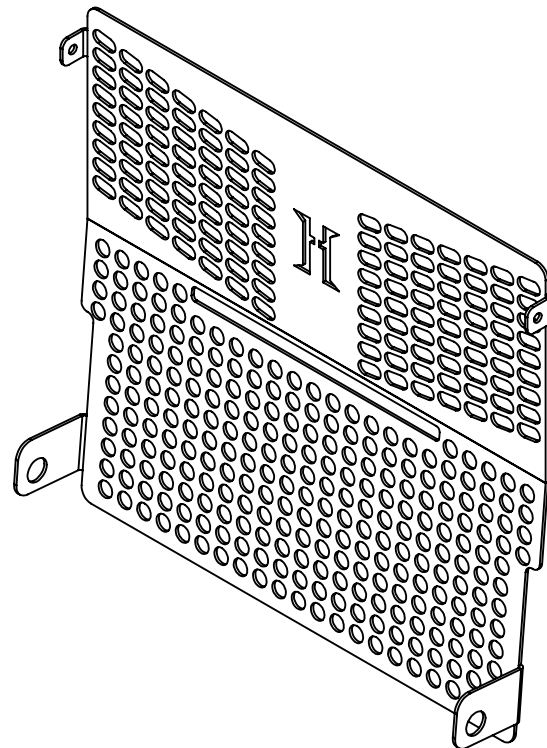
2855 GIRTS ROAD
JAMESTOWN, NY 14701



HOMESTEAD GRILL GUARD

SPECIFICATIONS

DIMENSIONS	20-5/8" X 18-1/8" X 3-3/4"
WEIGHT	7.09 LBS.
MATERIAL	12 GA. (0.105") THICK CARBON STEEL
HARDWARE	(2X) - 5/16"-18 BOLT ,NYLOCK NUT & (4X) - 5/16" FLAT WASHERS PROVIDED
POWDER COAT OPTIONS	ORANGE, BLACK
SUPPORTED TRACTORS	M4-061, M4-071, M6060, M7060
SUPPORTED LOADERS	LA1154



THIS DRAWING, WHICH CONTAINS PROPRIETARY INFORMATION, IS THE PROPERTY OF JAMESTOWN ADVANCED PRODUCTS CORPORATION. IT SHALL NOT BE REPRODUCED IN ANY MANNER NOR DISCLOSED TO THIRD PARTIES WITHOUT WRITTEN PERMISSION OF JAMESTOWN ADVANCED PRODUCTS CORPORATION.



PRODUCT PART NUMBER : HI-P-GG-KU7

PRODUCT DESCRIPTION : KUBOTA GRILL GUARD - KU7

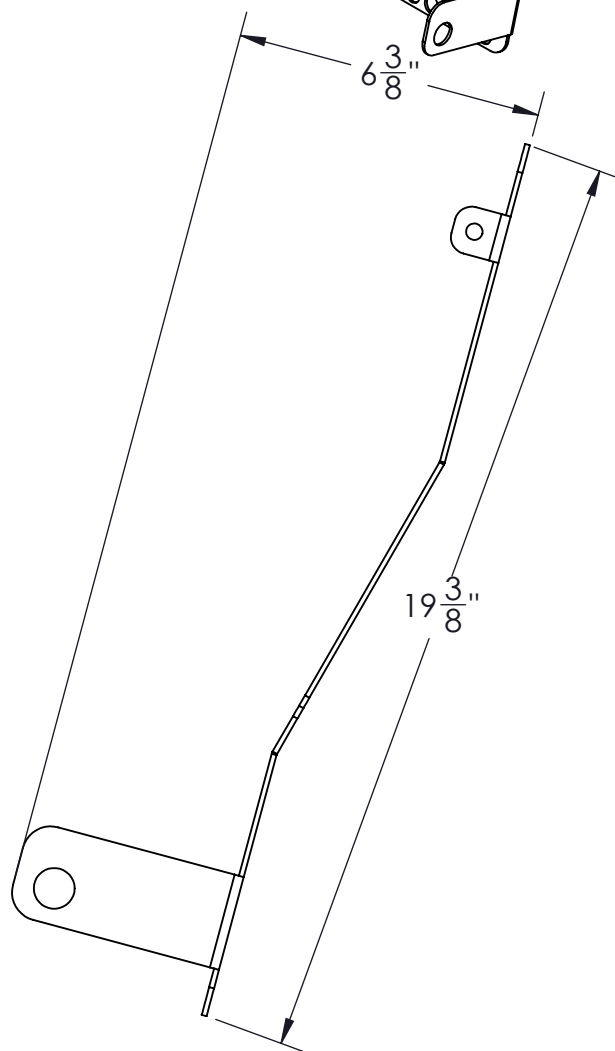
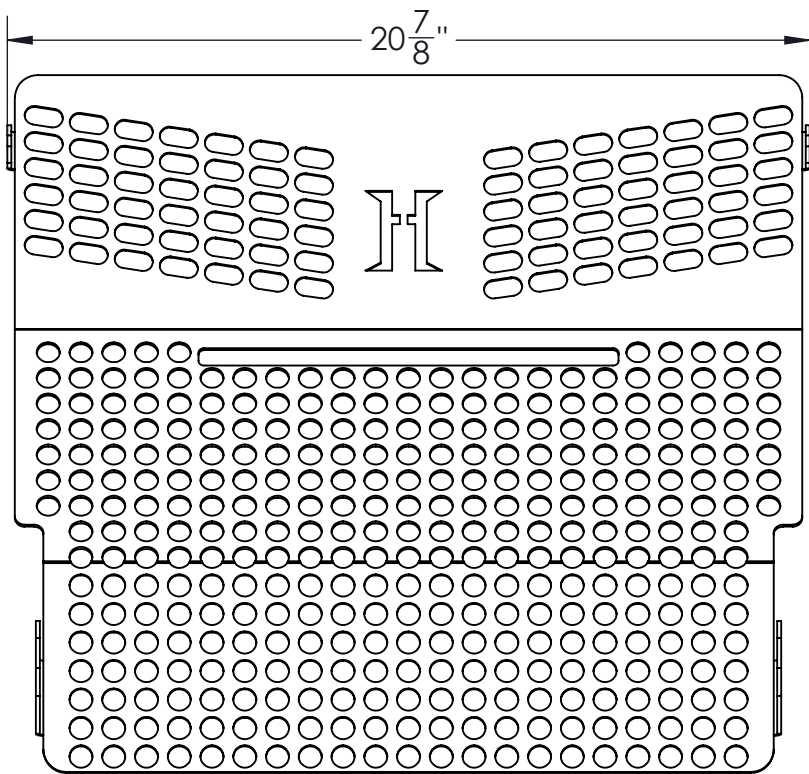
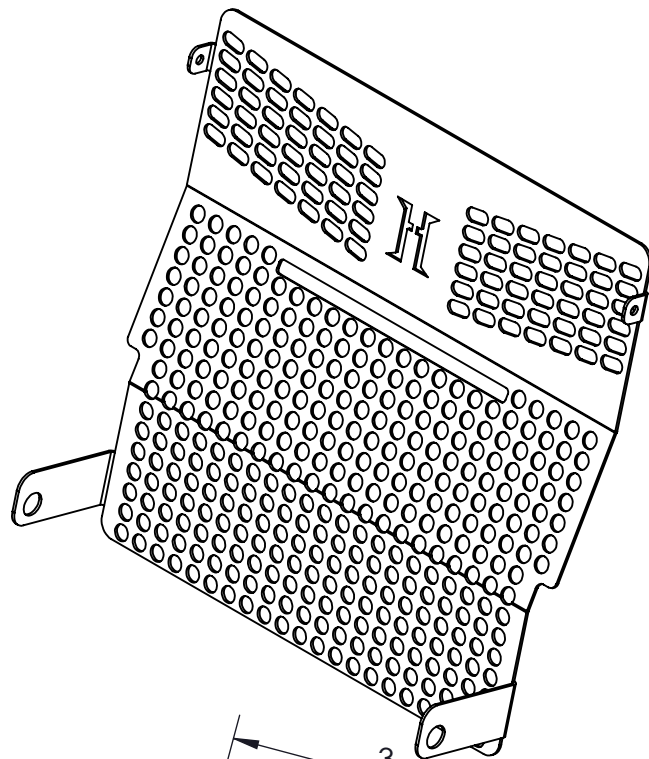
DATE : 5/10/23

REV. NO.

2855 GIRTS ROAD
JAMESTOWN, NY 14701

SPECIFICATIONS

DIMENSIONS	20-5/8" X 19-3/8" X 5-1/2"
WEIGHT	7.80 LBS.
MATERIAL	12 GA. (0.105") THICK CARBON STEEL
HARDWARE	(2X) - 5/16" -18 BOLT ,NYLOCK NUT & (4X) - 5/16" FLAT WASHERS PROVIDED
POWDER COAT OPTIONS	ORANGE, BLACK
SUPPORTED TRACTORS	M5-111, M5-091, M6S-111, M-96, M-108
SUPPORTED LOADERS	LA1854, LA1944, LA1403S (CURVED GUARD FRAME ONLY)



THIS DRAWING, WHICH CONTAINS PROPRIETARY INFORMATION, IS THE PROPERTY OF JAMESTOWN ADVANCED PRODUCTS CORPORATION. IT SHALL NOT BE REPRODUCED IN ANY MANNER NOR DISCLOSED TO THIRD PARTIES WITHOUT WRITTEN PERMISSION OF JAMESTOWN ADVANCED PRODUCTS CORPORATION.

DATE :5/10/23

PRODUCT PART NUMBER : HI-P-GG-KU8

REV. NO.

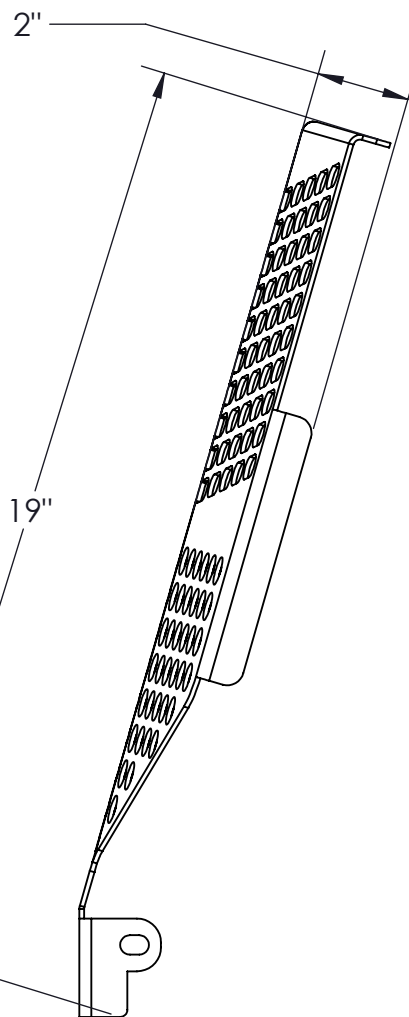
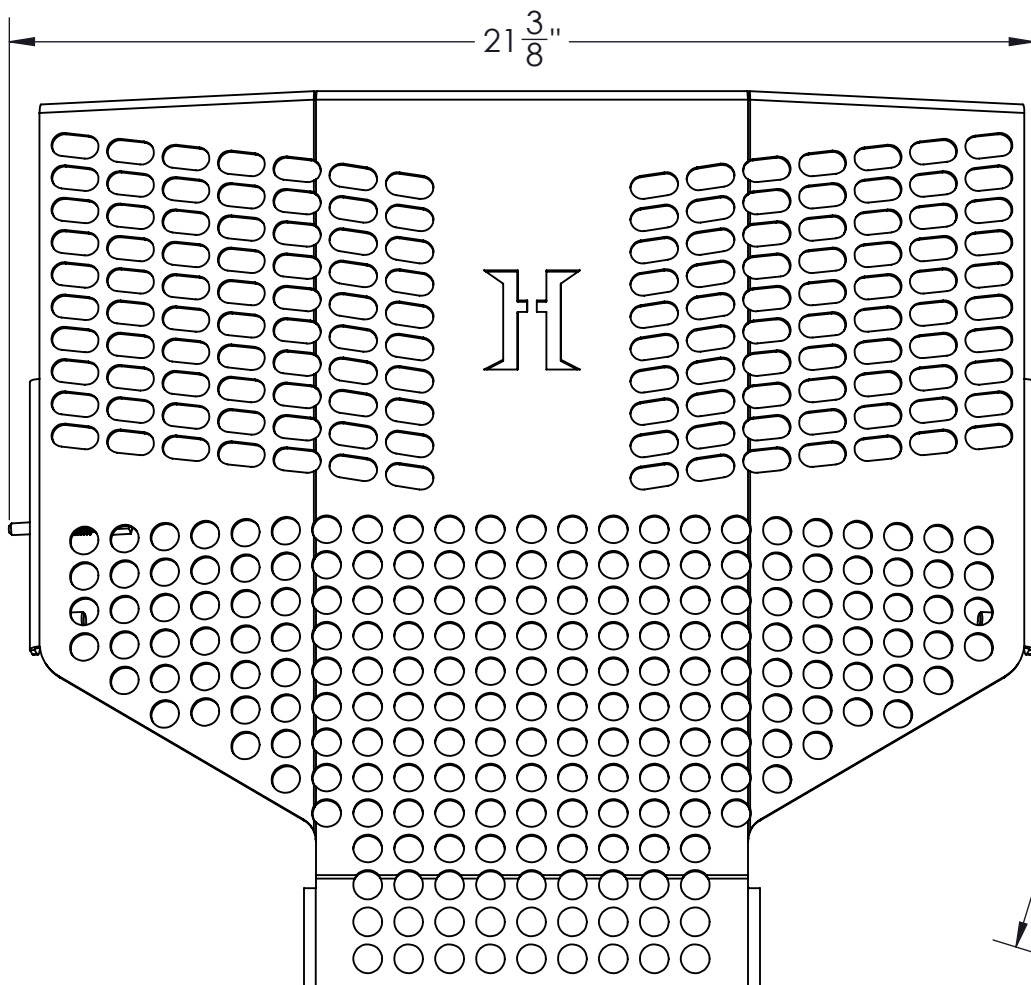
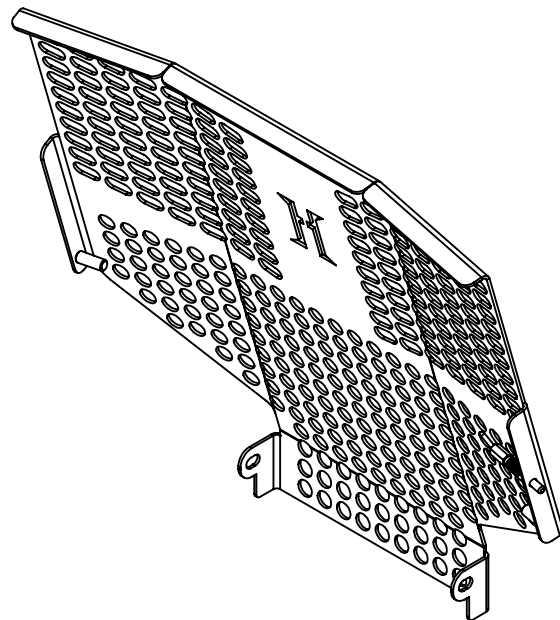
PRODUCT DESCRIPTION :KUBOTA GRILL GUARD
- KU8

2855 GIRTS ROAD
JAMESTOWN, NY 14701



SPECIFICATIONS

DIMENSIONS	21-3/8" X 19" X 2"
WEIGHT	6.97 LBS.
MATERIAL	12 GA. (0.105") THICK CARBON STEEL
POWDER COAT OPTIONS	ORANGE, BLACK
SUPPORTED TRACTORS	BX1880, BX2380, BX2680, BX23S
SUPPORTED LOADERS	LA340, LA344
GRILL TYPE	GREY FRAME ONLY



THIS DRAWING, WHICH CONTAINS PROPRIETARY INFORMATION, IS THE PROPERTY OF JAMESTOWN ADVANCED PRODUCTS CORPORATION. IT SHALL NOT BE REPRODUCED IN ANY MANNER NOR DISCLOSED TO THIRD PARTIES WITHOUT WRITTEN PERMISSION OF JAMESTOWN ADVANCED PRODUCTS CORPORATION.



PRODUCT PART NUMBER : HI-P-GG-KU9
 PRODUCT DESCRIPTION : KUBOTA GRILL GUARD - KU9

DATE : 7/31/23

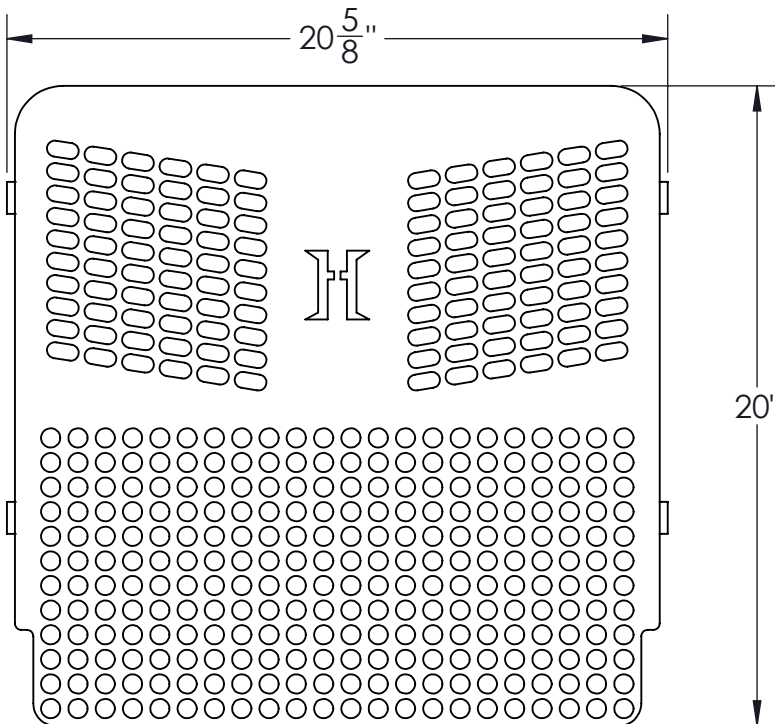
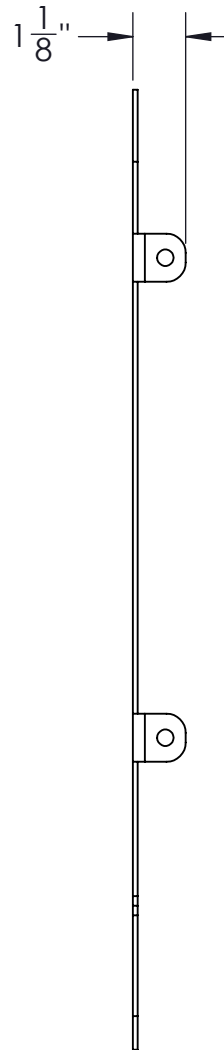
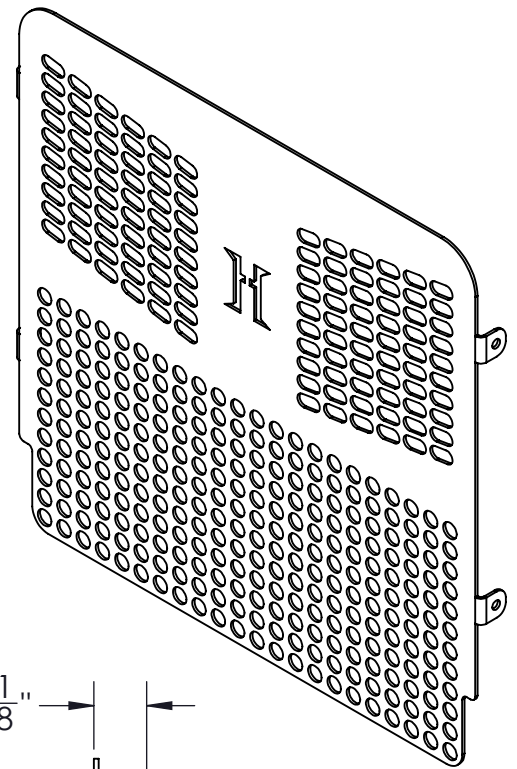
REV. NO.

2855 GIRTS ROAD
 JAMESTOWN, NY 14701

HOMESTEAD GRILL GUARD

SPECIFICATIONS

DIMENSIONS	20-5/8" X 20" X 1-1/8"
WEIGHT	7.682 LBS.
MATERIAL	12 GA. (0.105") THICK CARBON STEEL
HARDWARE	(4X) - 5/16" - 18 BOLT, NYLOCK NUT AND (8X) - 5/16" FLAT WASHERS
POWDER COAT OPTIONS	ORANGE, BLACK
SUPPORTED TRACTORS	M5660, M6060, M7060, M6040, M7040, M5140, M8540, M8560, M9540, M9960, MX4700 & MX5100
SUPPORTED LOADERS	LA844, LA1153, LA1154, LA1353, LA1403S (FLAT, SQUARE GUARD ONLY)



THIS DRAWING, WHICH CONTAINS PROPRIETARY INFORMATION, IS THE PROPERTY OF JAMESTOWN ADVANCED PRODUCTS CORPORATION. IT SHALL NOT BE REPRODUCED IN ANY MANNER NOR DISCLOSED TO THIRD PARTIES WITHOUT WRITTEN PERMISSION OF JAMESTOWN ADVANCED PRODUCTS CORPORATION.

DATE :7/31/23

PRODUCT PART NUMBER : HI-P-GG-KU10

REV. NO.

PRODUCT DESCRIPTION :KUBOTA GRILL GUARD
- KU10

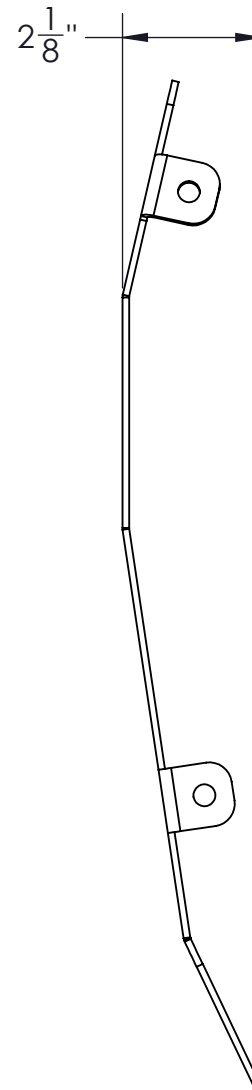
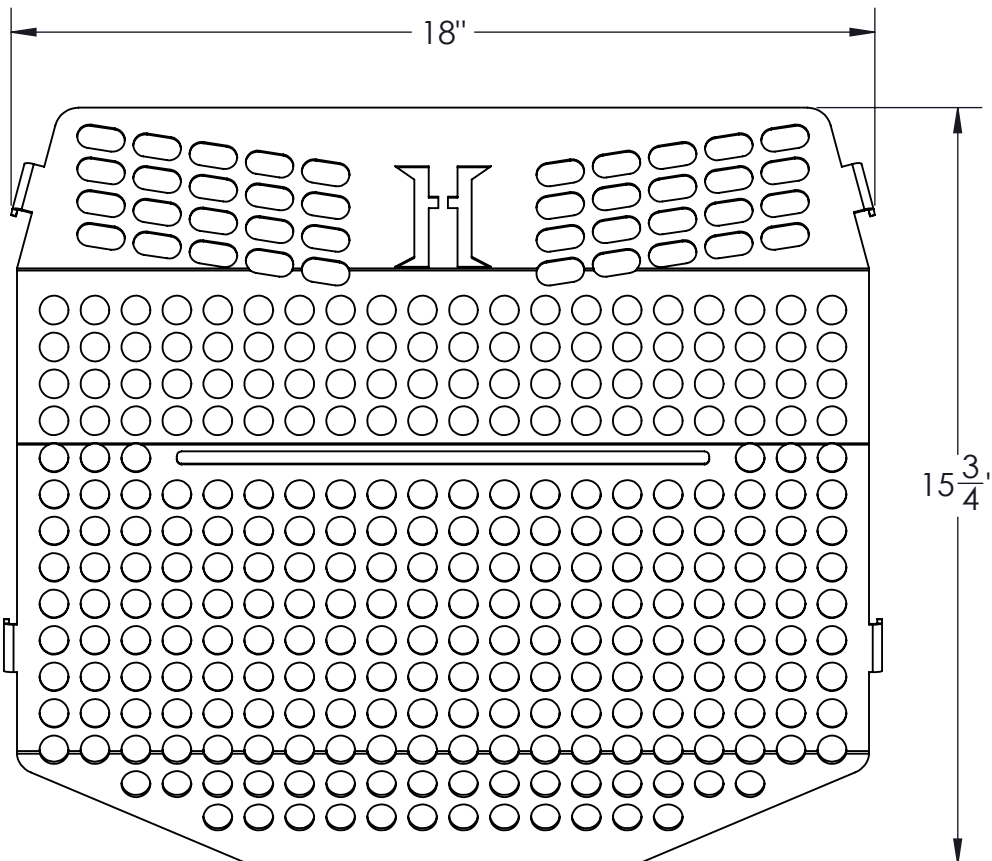
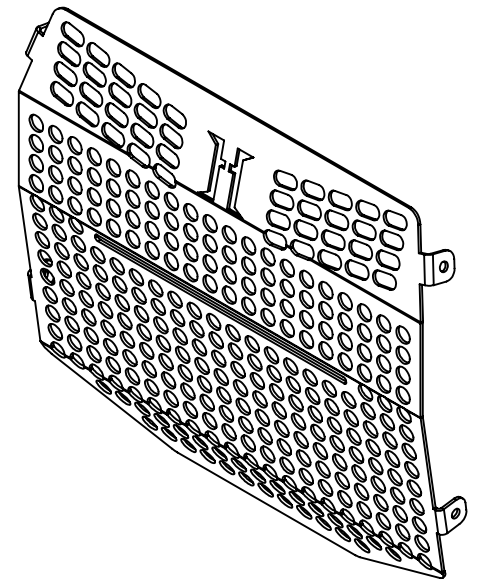
2855 GIRTS ROAD
JAMESTOWN, NY 14701



HOMESTEAD GRILL GUARD

SPECIFICATIONS

DIMENSIONS	15-3/4" X 18" X 2-1/8"
WEIGHT	5.234 LBS.
MATERIAL	12 GA. (0.105") THICK CARBON STEEL
HARDWARE	(4X) - 5/16" -18 BOLT, NYLOCK NUT AND (8X) - 5/16" FLAT WASHERS
POWDER COAT OPTIONS	ORANGE, BLACK
SUPPORTED TRACTORS	B2650, B3350
SUPPORTED LOADERS	LA534



THIS DRAWING, WHICH CONTAINS PROPRIETARY INFORMATION, IS THE PROPERTY OF JAMESTOWN ADVANCED PRODUCTS CORPORATION. IT SHALL NOT BE REPRODUCED IN ANY MANNER NOR DISCLOSED TO THIRD PARTIES WITHOUT WRITTEN PERMISSION OF JAMESTOWN ADVANCED PRODUCTS CORPORATION.

PRODUCT PART NUMBER : HI-P-GG-KU11

PRODUCT DESCRIPTION : KUBOTA GRILL GUARD
- KU11

DATE : 3/26/24

REV. NO.

2855 GIRTS ROAD
JAMESTOWN, NY 14701