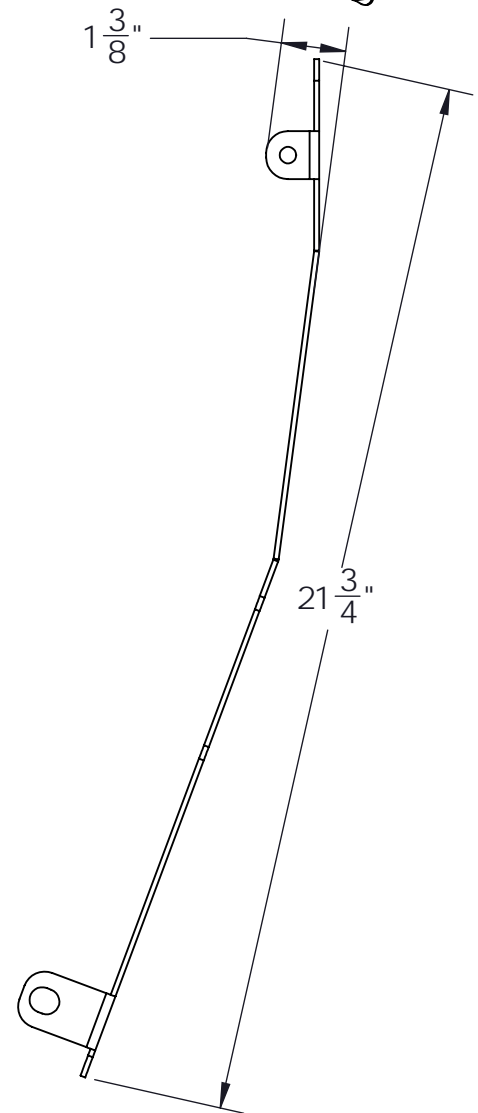
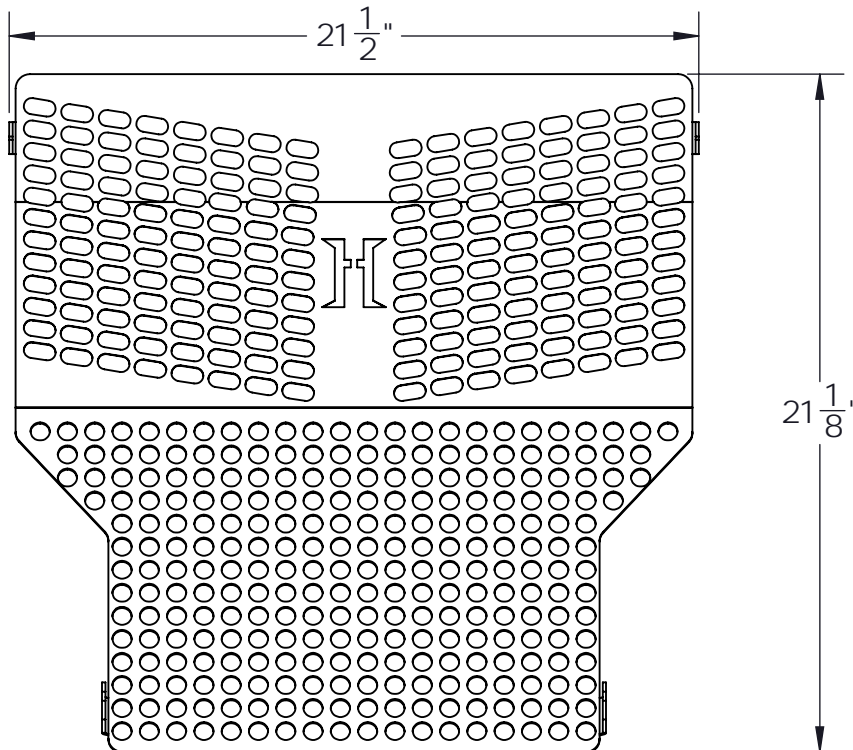
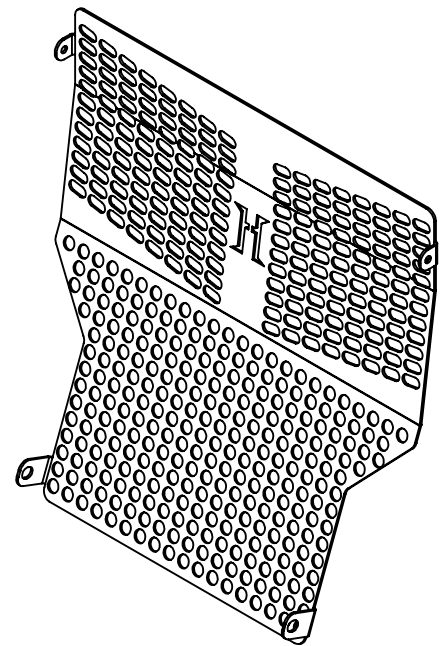


HOMESTEAD GRILL GUARD

SPECIFICATIONS

DIMENSIONS	21-3/4" X 21-1/2" X 1-3/8"
WEIGHT	7.57 LBS.
MATERIAL	12 GA. (0.105") THICK CARBON STEEL
HARDWARE	(2X) - 5/16" - 18 BOLTS NYLOCK NUT & (4X) - FLAT WASHER PROVIDED
POWDER COAT OPTIONS	RED, BLACK
SUPPORTED TRACTORS	T474, T494, T574
SUPPORTED LOADERS	TX57



THIS DRAWING, WHICH CONTAINS PROPRIETARY INFORMATION, IS THE PROPERTY OF JAMESTOWN ADVANCED PRODUCTS CORPORATION. IT SHALL NOT BE REPRODUCED IN ANY MANNER NOR DISCLOSED TO THIRD PARTIES WITHOUT WRITTEN PERMISSION OF JAMESTOWN ADVANCED PRODUCTS CORPORATION.

PRODUCT PART NUMBER : HI-P-GG-TYM1

PRODUCT DESCRIPTION : KUBOTA GRILL GUARD
-TYM1

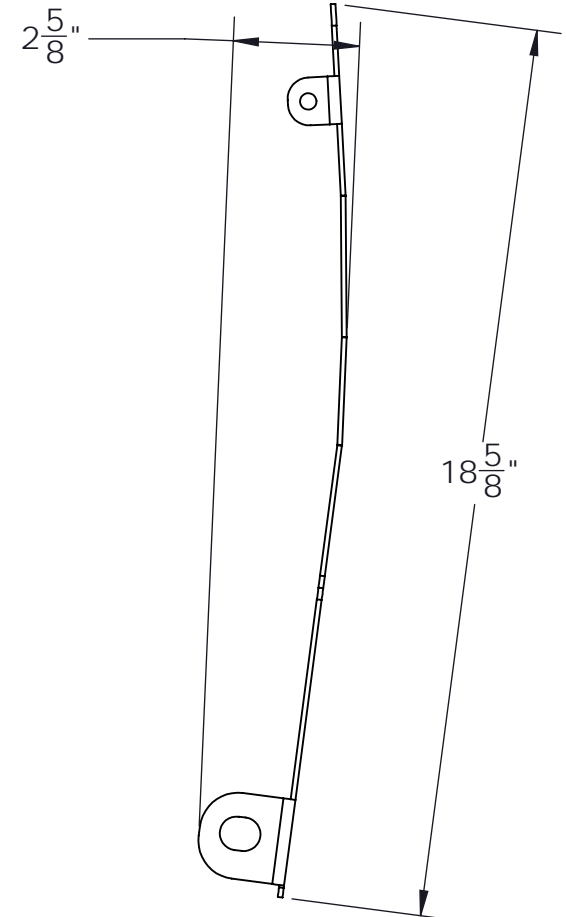
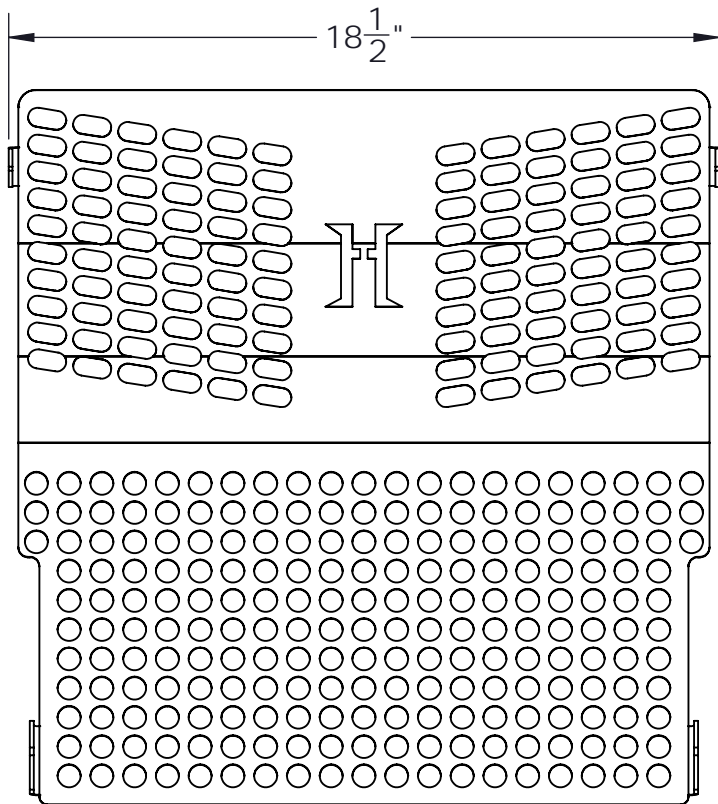
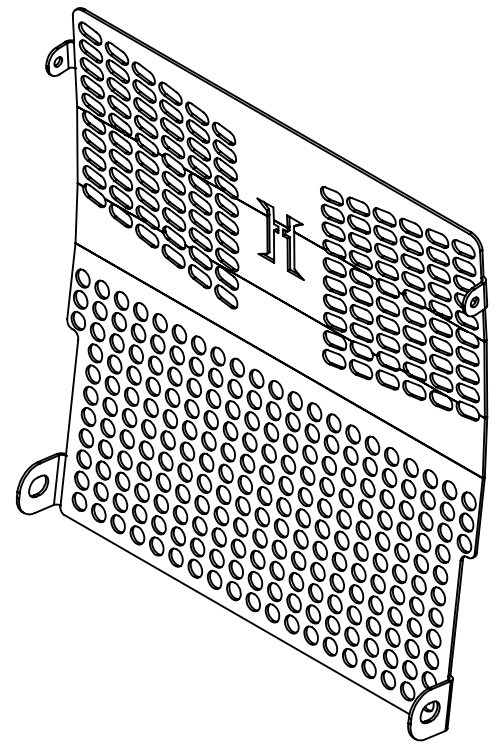
DATE : 6/6/23

REV. NO.

2855 GIRTS ROAD
JAMESTOWN, NY 14701

SPECIFICATIONS

DIMENSIONS	18-1/2" X 18-5/8" X 2-5/8"
WEIGHT	6.224 LBS.
MATERIAL	12 GA. (0.105") THICK CARBON STEEL
POWDER COAT OPTIONS	RED, BLACK
SUPPORTED TRACTORS	15 & 20 SERIES
SUPPORTED LOADERS	BL150, BL200



THIS DRAWING, WHICH CONTAINS PROPRIETARY INFORMATION, IS THE PROPERTY OF JAMESTOWN ADVANCED PRODUCTS CORPORATION. IT SHALL NOT BE REPRODUCED IN ANY MANNER NOR DISCLOSED TO THIRD PARTIES WITHOUT WRITTEN PERMISSION OF JAMESTOWN ADVANCED PRODUCTS CORPORATION.

PRODUCT PART NUMBER : HI-P-GG-TYM2

PRODUCT DESCRIPTION : KUBOTA GRILL GUARD - TYM2

DATE : 7/31/23

REV. NO.

**2855 GIRTS ROAD
JAMESTOWN, NY 14701**

