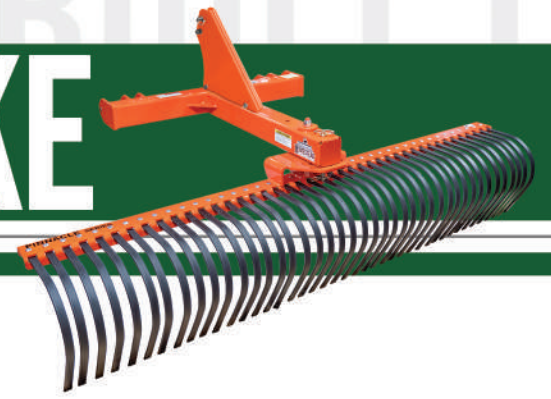


# BUILT TOUGH BUILT TO

# LANDSCAPE RAKE



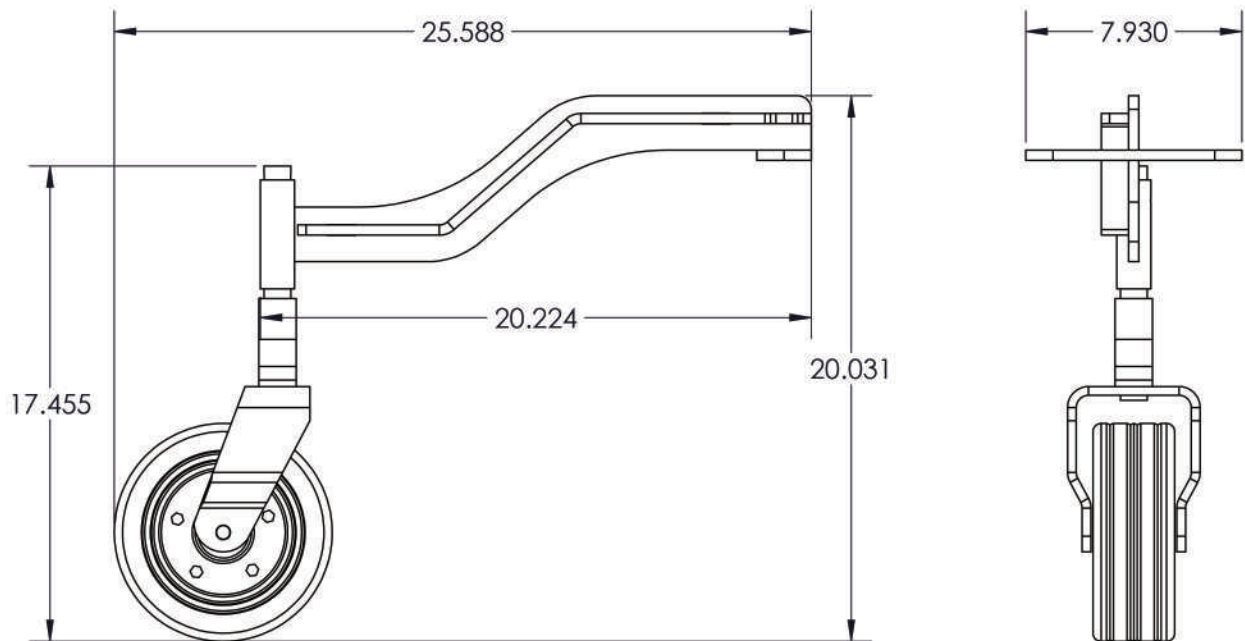
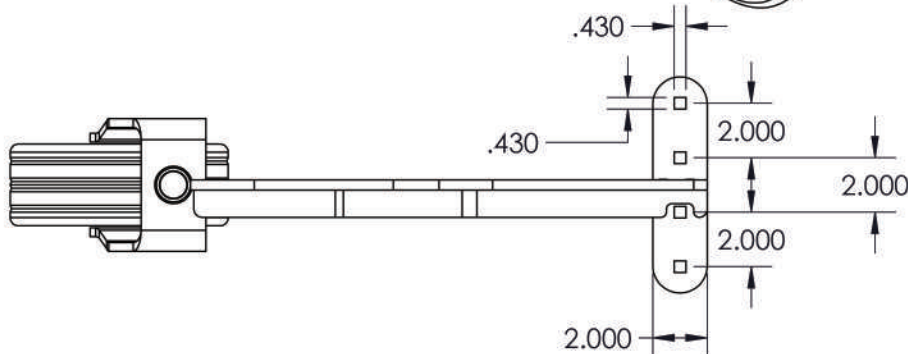
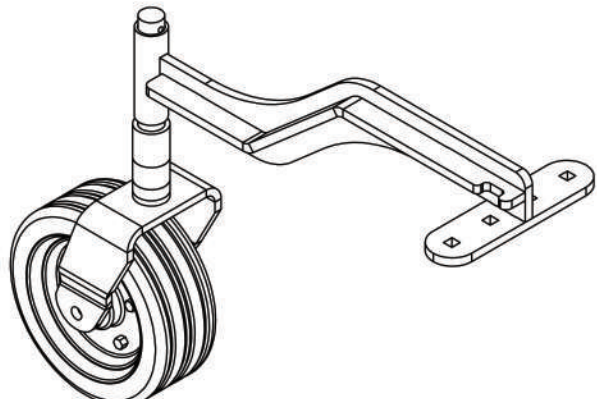
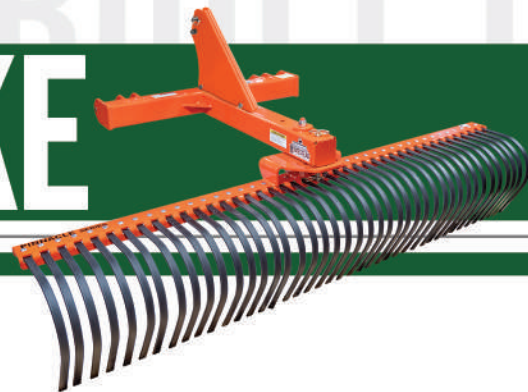
## Homestead Implements Independence Series Landscape Rake

### Technical Specification

Model Numbers	HI-I-LR-48	HI-I-LR-60	HI-I-LR-72
Working Width	48" (1.21m)	60" (1.52m)	72" (1.82m)
Height and Length	42.25"(1.07 m) height and 60.00"(1.52m) length		
Weight	165 lbs (74.84 kg)	196 lbs (89.9 kg)	220 lbs (99.8 kg)
Number of Teeth	24	30	36
Pivot Joint	2 3/8" (6.0cm) OD tube		
Rake Angle	Forward Position - 15°, 30° and 45° Clockwise and Counter-Clockwise Reverse Position - 15° and 30° Clockwise and Counter-Clockwise		
Lift Mechanism	Lower lift arms 3/8"(12.7mm) plate mounted on 3" x 3" x 1/8" (7.6 cm x 7.6 cm x 3.18 mm) tube and upper lift arms equipped in 3/16" mounted plate		
Tooth Size	1"(25.4mm) Wide x 5/16" (7.9mm) Thick		
Tooth Position	1"(25.4mm) Apart		
Tooth Material	Quenched High-Carbon Spring Steel		
Tooth Replacement	Individual		
Maximum H.P. Rating	30 HP (22.37 kw)		
3-Point Hitch Type	Category 1 Quick-Hitch compatible, also equipped with 7/8"(2.2cm) lower hitch pins and 1.25"(3.1cm) upper hitch pin		

BUILT TOUGH BUILT TO

# LANDSCAPE RAKE



HOMESTEAD IMPLEMENTS.COM • 833-625-0635

ENGINEERED TO ENDURE ENGINEERED TO EN