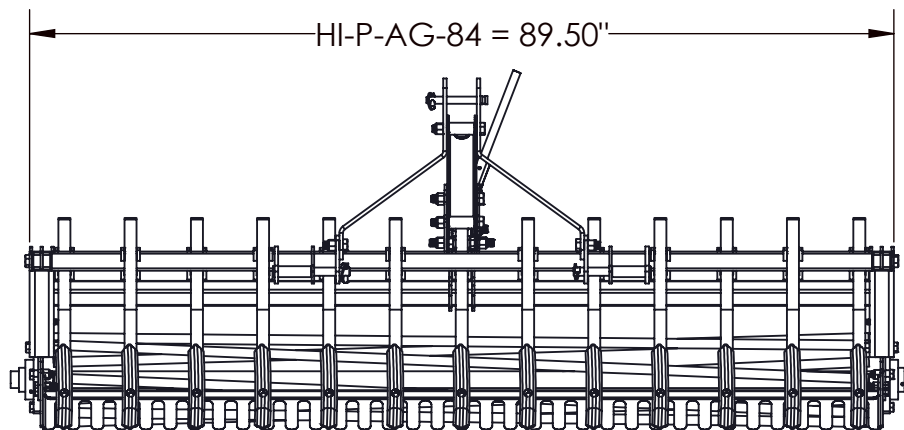


Homestead Implements Pinnacle Series Arena Grader

Technical Specification

Model Number	HI-P-AG-84
Weights Approx. (Comb + grading plate)	430 lbs (195 kg)
Maximum Tractor HP	Up To 65 HP
Frame (Width X Height X Length)	(89.50" W X 36.50" H X 49" L)
3-Point Hitch Type	Cat. I & Cat. II Fits Quick Hitch & iMatch
S Tine Dimensions	1.26"(W) x 21.25"(H) x 1/2" (T)
No. of Tines	13
Distance Between Tines	12.50"
Grader Plates Types	Comb Grader Plate Grader
Roller Type	Angled Pipe Roller
Roller Height Adjustment from Ground	(min- 0") & (max- 6.4")



CUSTOMER APPROVAL :

DATE :



THIS DRAWING, WHICH CONTAINS PROPRIETARY INFORMATION, IS THE PROPERTY OF JAMESTOWN ADVANCED PRODUCTS CORPORATION. IT SHALL NOT BE REPRODUCED IN ANY MANNER NOR DISCLOSED TO THIRD PARTIES WITHOUT WRITTEN PERMISSION OF JAMESTOWN ADVANCED PRODUCTS CORPORATION.

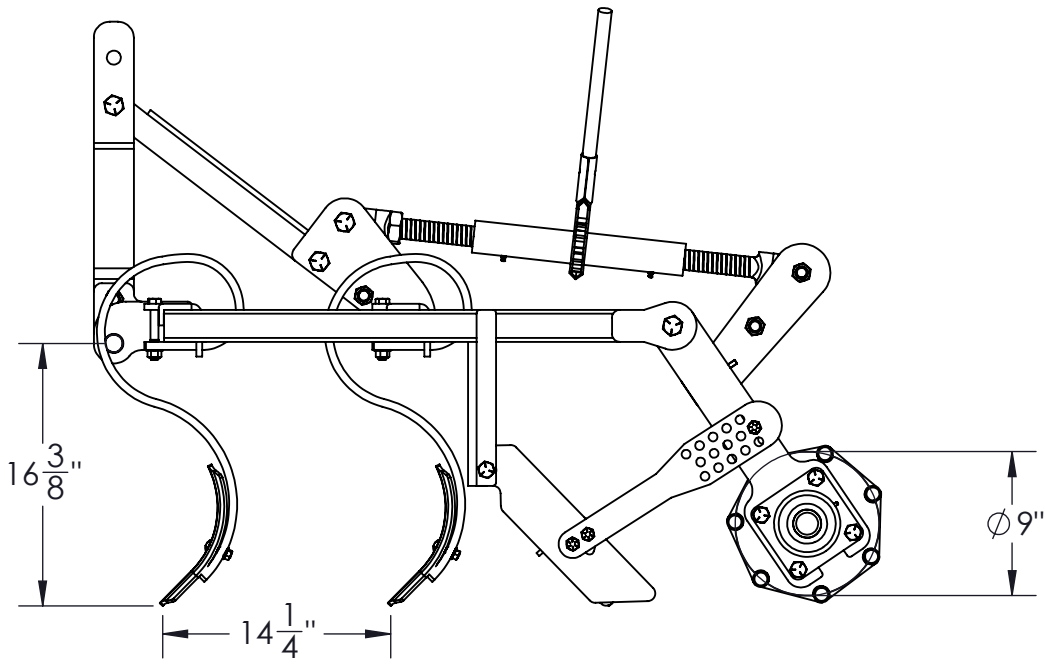
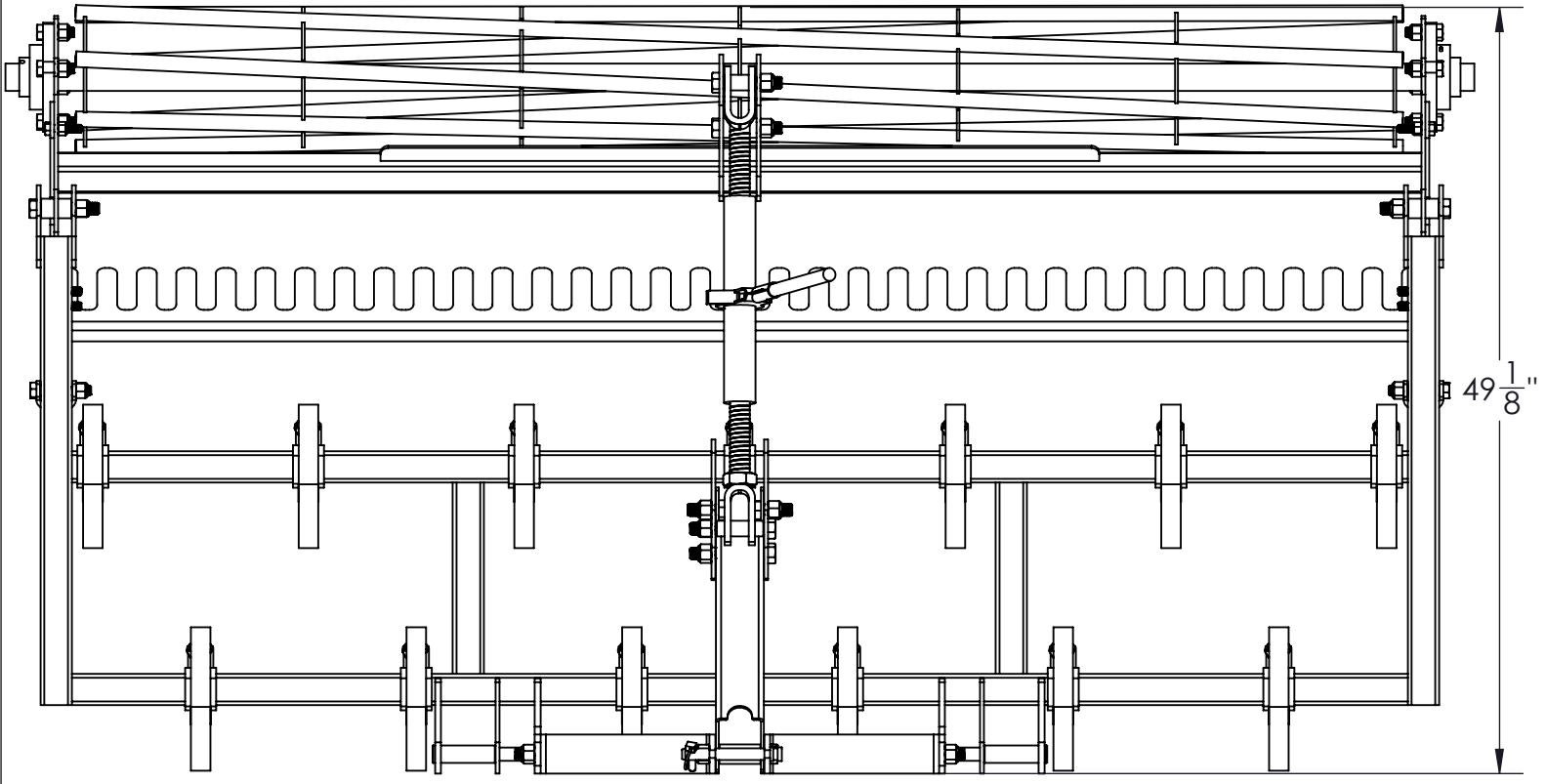
DATE : **07/18/2024**

PRODUCT PART NUMBER : **HI-P-AG-XX**

REV. NO.

PRODUCT DESCRIPTION :
PINNACLE ARENA GRADER

2855 GIRTS ROAD
JAMESTOWN, NY 14701



CUSTOMER APPROVAL :

DATE :



THIS DRAWING, WHICH CONTAINS PROPRIETARY INFORMATION, IS THE PROPERTY OF JAMESTOWN ADVANCED PRODUCTS CORPORATION. IT SHALL NOT BE REPRODUCED IN ANY MANNER NOR DISCLOSED TO THIRD PARTIES WITHOUT WRITTEN PERMISSION OF JAMESTOWN ADVANCED PRODUCTS CORPORATION.

PRODUCT PART NUMBER : **HI-P-AG-XX**

PRODUCT DESCRIPTION :
PINNACLE ARENA GRADER

DATE : **07/18/2024**

REV. NO.

2855 GIRTS ROAD
JAMESTOWN, NY 14701