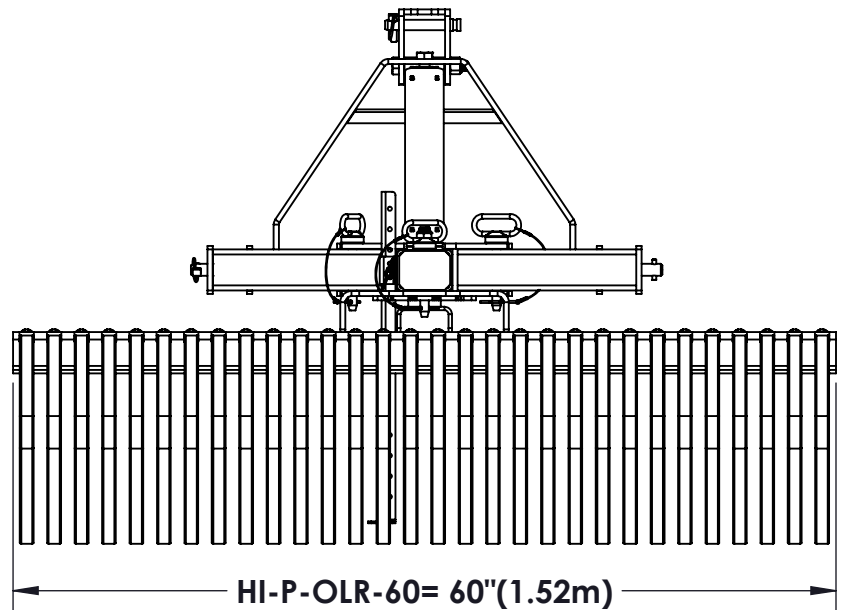
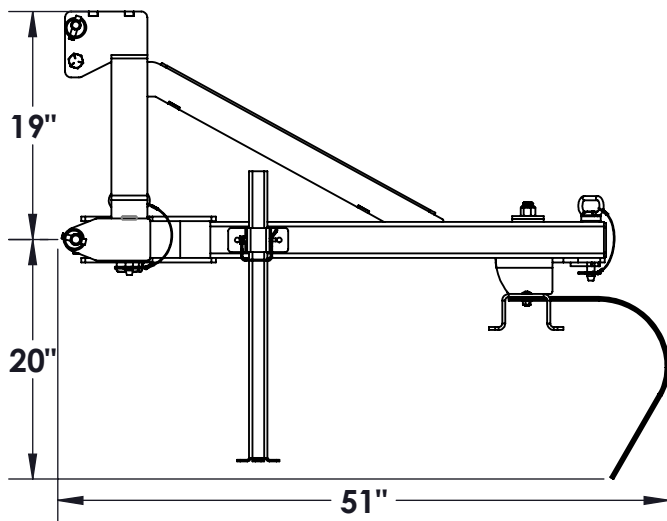


Homestead Pinnacle Implements Offset Landscape Rake

Technical Specification

Model Numbers	HI-P-OLR-60
Working Width	60" (1.52m)
Height and Length	39"(0.99m) over all height and 51"(1.29m) overall length
Weight	245 lbs (111.13 kg)
Number of teeth	30
Park Stand	Retractable
Pivot Joint	2 3/8" (6.0cm) OD tube
Rake Angle	Forward position- 15° , 30° and 45° Clockwise and counter clockwise Reverse Position - 15° and 30 ° Clockwise and counter clockwise
Lift Mechanism	Lower lift arms 3/8" Plate mounted on 3" x 3" x 3/16" (7.6cm x 7.6cmx 4.8mm) Tube and Upper lift arms 3/8" Plate mounted on 3/8" A-FRAME
Teeth Size	1"(25.4mm) Wide x 5/16" (7.9mm) Thick
Teeth Position	1"(25.4mm) Apart
Teeth Material	High Carbon Spring steel with quenching
Teeth Replacement	Individual
Maximum H.P. Rating	55 Horse Power (41 kW)
3-Point Hitch Type	Category 1 Quick-Hitch Compatible



THIS DRAWING, WHICH CONTAINS PROPRIETARY INFORMATION, IS THE PROPERTY OF JAMESTOWN ADVANCED PRODUCTS CORPORATION. IT SHALL NOT BE REPRODUCED IN ANY MANNER NOR DISCLOSED TO THIRD PARTIES WITHOUT WRITTEN PERMISSION OF JAMESTOWN ADVANCED PRODUCTS CORPORATION.

DATE : 10/5/23

PRODUCT PART NUMBER : HI-P-OLR-XX

REV. NO.

PRODUCT DESCRIPTION :
OFFSET LANDSCAPE RAKE

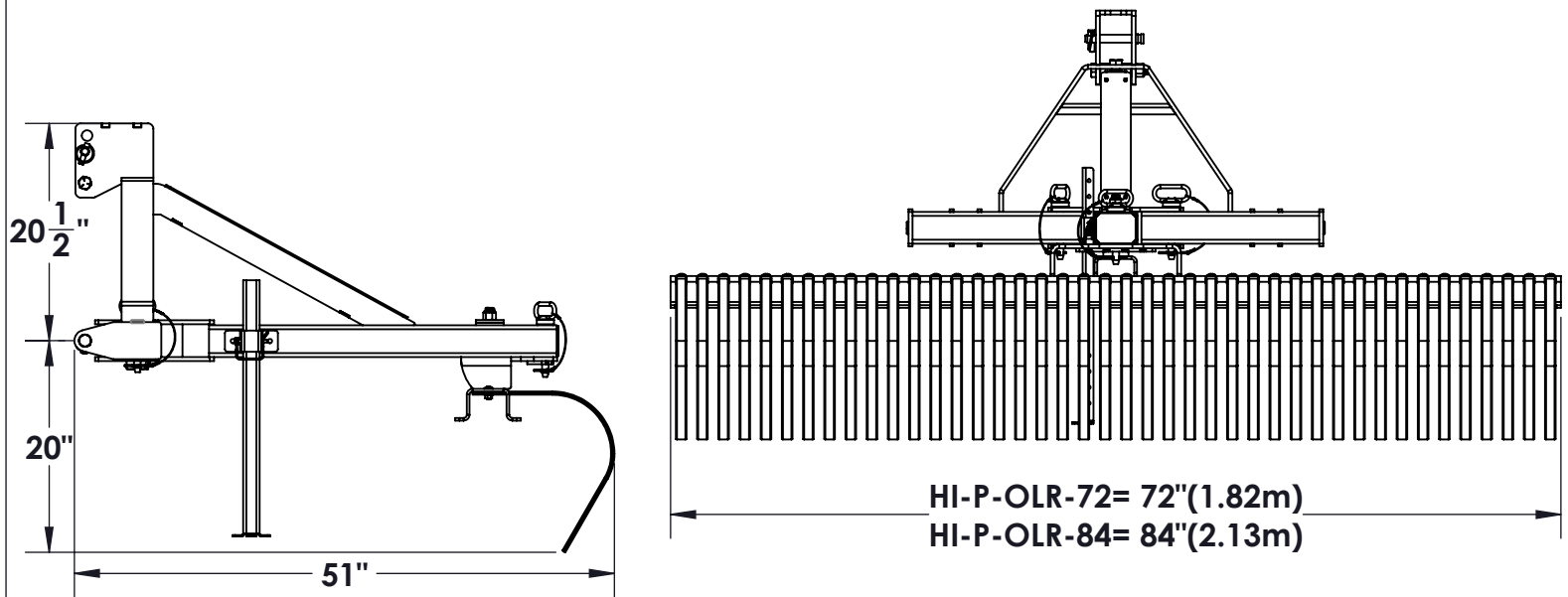
2855 GIRTS ROAD
JAMESTOWN, NY 14701



Homestead Pinnacle Implements Offset Landscape Rake

Technical Specification

Model Numbers	HI-P-OLR-72	HI-P-OLR-84
Working Width	72" (1.83m)	84" (2.13m)
Height and Length	40.500"(1.02m) over all height and 51.000"(1.29m) over all length	
Weight	280 lbs (127 kg)	305 lbs (138.34 kg)
Number of teeth	36	42
Park Stand	Retractable	
Pivot Joint	2 3/8" (6.0cm) OD tube	
Rake Angle	Forward position- 15° , 30° and 45° Clockwise and counter clockwise Reverse Position - 15° and 30 ° Clockwise and counter clockwise	
Lift Mechanism	Lower lift arms 3/8" Plate mounted on 4" x 3" x 3/16" (7.6cm x 7.6cmx 4.8mm) Tube and Upper lift arms 3/8" Plates mounted on 3/8" A-FRAME	
Teeth Size	1"(25.4mm) Wide x 5/16" (7.9mm) Thick	
Teeth Position	1"(25.4mm) Apart	
Teeth Material	High Carbon Spring steel with quenching	
Teeth Replacement	Individual	
Maximum H.P. Rating	55 Horse Power (41 kW)	
3-Point Hitch Type	Category 1 & 2 Quick-Hitch Compatible	



THIS DRAWING, WHICH CONTAINS PROPRIETARY INFORMATION, IS THE PROPERTY OF JAMESTOWN ADVANCED PRODUCTS CORPORATION. IT SHALL NOT BE REPRODUCED IN ANY MANNER NOR DISCLOSED TO THIRD PARTIES WITHOUT WRITTEN PERMISSION OF JAMESTOWN ADVANCED PRODUCTS CORPORATION.

10/5/23

PRODUCT PART NUMBER : HI-P-OLR-XX

REV. NO.

PRODUCT DESCRIPTION :
OFFSET LANDSCAPE RAKE

2855 GIRTS ROAD
JAMESTOWN, NY 14701