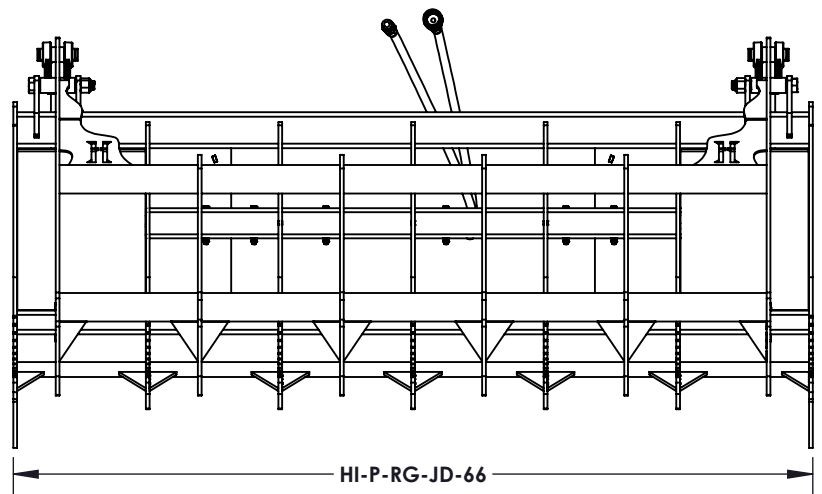
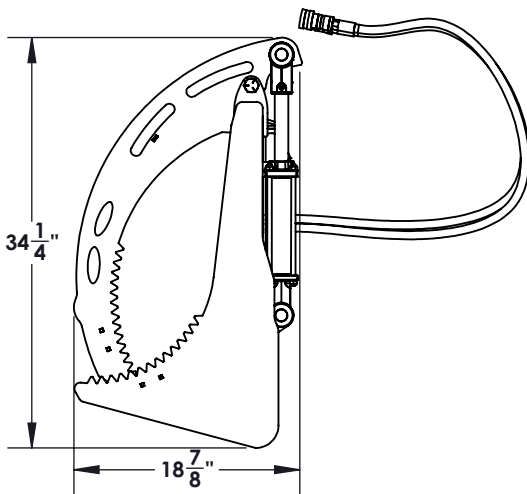


Homestead Implements Pinnacle Series Root Grapple (John Deere)

Technical Specification

| | |
|---------------------------------------|--|
| Model Numbers | HI-P-RG-JD-66 |
| Weight | 336 lbs. (153 kg) |
| Overall Width | 66 5/8" (1.7m) |
| Closed Height | 34 3/16" (86.8cm) |
| Jaw Opening | 39 1/2" (100.3cm) |
| Number of Teeth | 7 Bottom & 6 Top |
| Teeth Spacing | 10 3/8" (26.4cm) on bottom teeth and 11 1/2" (29.2cm) on the top teeth |
| Tooth Thickness & Material | 5/16" (7.9mm), HARDOX® 450 |
| Working Length of Teeth | 12 7/8" (32.7cm) |
| Hydraulic Cylinder | 2" (5.1cm) x 6" (15.2cm) x 1 1/8" (2.8cm) Rod, 2 Nos. |
| Max Pressure Rating | 3000 PSI |
| Hose Size & Connector | 3/8" (9.5mm) ID with JIC flare fitting |
| Hose Size | 1/2" (12.7mm) ID with NPT threading |
| Recommended Tractor HP | Up to 55HP |
| Hitch Attachment | John Deere Hook & Pin - Compatible With: D120, 120R, 220R, 300E, 300R, 320R, 400E, 400R, 400X |



CUSTOMER APPROVAL :

DATE :



THIS DRAWING, WHICH CONTAINS PROPRIETARY INFORMATION, IS THE PROPERTY OF JAMESTOWN ADVANCED PRODUCTS CORPORATION. IT SHALL NOT BE REPRODUCED IN ANY MANNER NOR DISCLOSED TO THIRD PARTIES WITHOUT WRITTEN PERMISSION OF JAMESTOWN ADVANCED PRODUCTS CORPORATION.

DATE : **04/20/2022**

PRODUCT PART NUMBER : **HI-P-RG-JD**

REV. NO.

PRODUCT DESCRIPTION :

PINNACLE ROOT GRAPPLE - JOHN DEERE

2855 GIRTS ROAD
JAMESTOWN, NY 14701