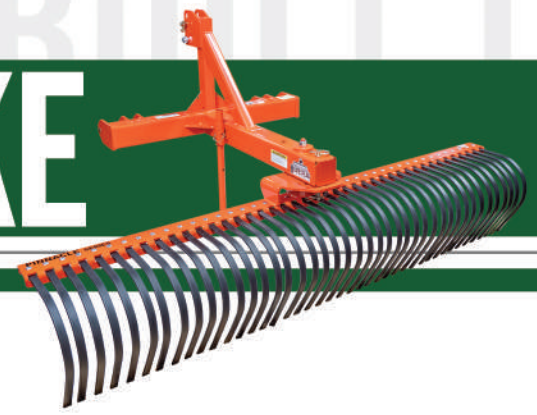


BUILT TOUGH BUILT TO

LANDSCAPE RAKE



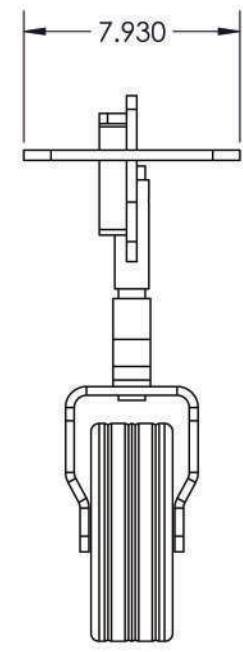
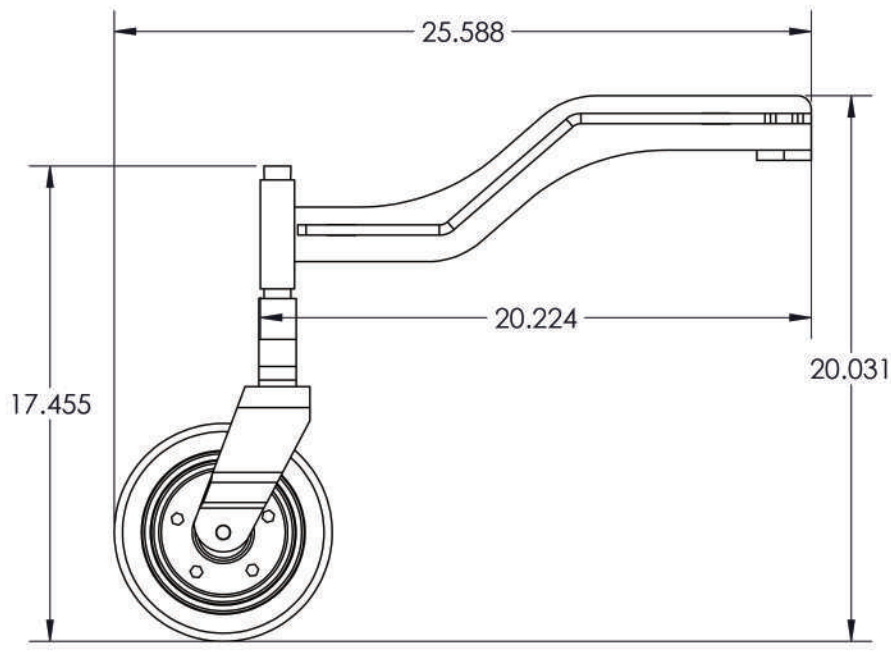
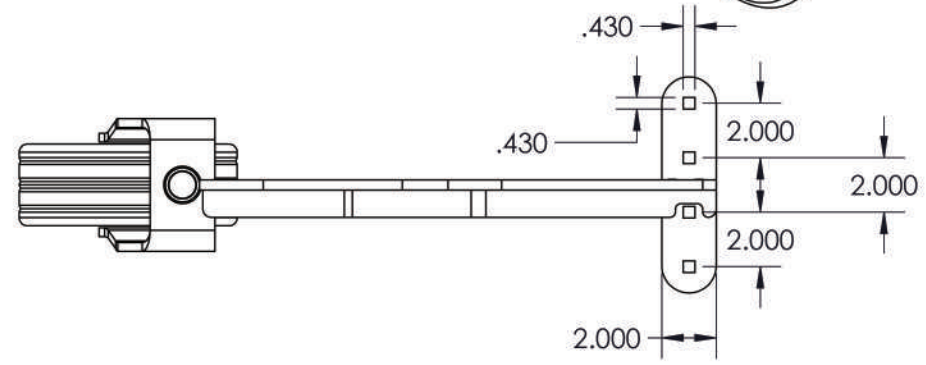
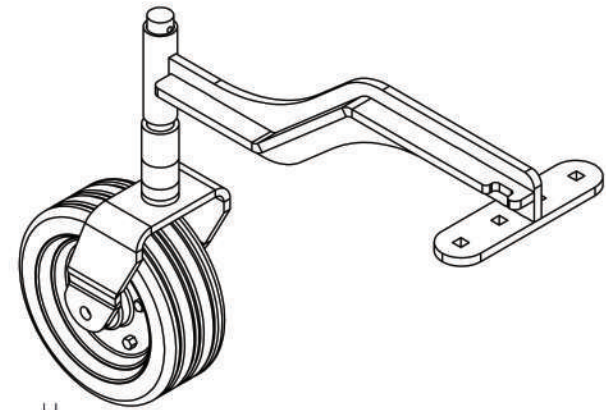
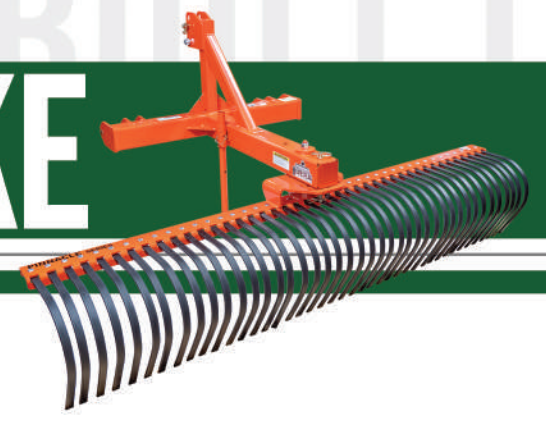
Homestead Implements Pinnacle Series Landscape Rake

Technical Specification

Model Numbers	HI-P-LR-60	HI-P-LR-72	HI-P-LR-84
Working Width	60" (1.52m)	72" (1.82m)	84" (2.13m)
Height and Length	37.38" (0.95 m) Height & 42.38" (1.07m) Length		38.53" (0.97 m) Height & 42.38" (1.07m) Length
Weight	235 lbs (107 kg)	263 lbs (119 kg)	285 lbs (130 kg)
Number of Tines	30	36	42
Park Stand	Retractable w/ Pin		
Pivot Joint	2 3/8" (6.0cm) OD tube		
Rake Angle	Forward Position - 15°, 30° and 45° Clockwise and counter-clockwise Reverse Position - 15° and 30° Clockwise and counter-clockwise		
Lift Mechanism	Lower lift arms 1/2" Plate mounted on 4" x 4" x 3/16" (10.2cm x 10.2cm x 4.8mm) tube and upper lift arms 1/4" Plate mounted on 2" x 3" x 3/16" (10.2cm x 10.2cm x 4.8mm)		
Tine Dimensions	1" (25.4mm) Wide x 5/16" (7.9mm) Thick		
Tine Position	1" (25.4mm) Apart		
Tine Material	High-Carbon Spring steel with quenching		
Tine Replacement	Individual (Call 833-625-0635 for Replacement Tines)		
Maximum H.P. Rating	55 HP		
3-Point Hitch Type	Cat. 1 Quick-Hitch Compatible	Category 1 & 2 Quick-Hitch Compatible	

BUILT TOUGH BUILT TO

LANDSCAPE RAKE



HOMESTEAD IMPLEMENTS.COM • 833-625-0635

ENGINEERED TO ENDURE ENGINEERED TO EN