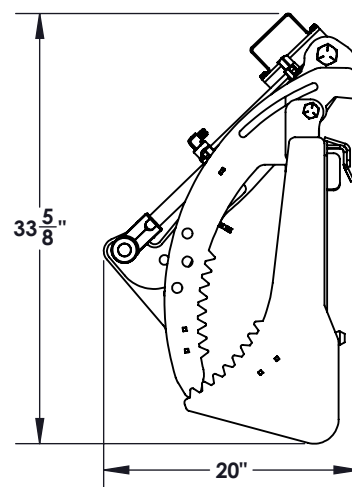
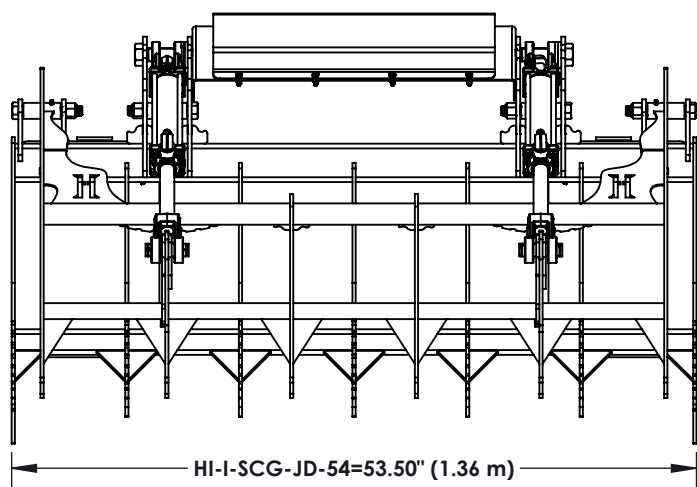


Homestead Implements Independence Series Sub-Compact Grapple for John Deere

Technical Specification

Model Numbers	HI-I-SCG-JD-54
Weight	248 lbs (108.9 kg)
Overall Width	53 1/2" (1.37 m)
Closed Height	33 1/2" (0.76 m)
Jaw Opening	31" (0.74 m)
Number of Teeth	7 Bottom & 6 Top
Teeth Spacing	8 20/32" (21.9 cm) on bottom teeth and 9 1/2" (24.1 cm) on the top teeth
Tooth Thickness and Material	1/4" (6.35 mm) HARDOX 450
Working Length of Teeth	8 7/8" (22.5cm)
Hydraulic Cylinder	2" (5.1cm) x 6" (10.2cm) x 1 1/8" (2.8cm) Rod, 2 Nos.
Maximum Pressure Rating	3000 PSI
Hose Size and Connector	3/8" (9.5mm) ID with JIC flare fitting
Hose Size	1/2" (12.7mm) ID with NPT threading
Hose Pressure Rating	6000 PSI
Hitch Attachment	John Deere Hook & Pin - Compatible With: D120, 120R, 220R, 300E, 300R, 320R, 400E, 400R, 400X
Recommended Tractor Models	1023e, 1025r, 2025r or Comparable
Recommended Tractor Specifications	Up to 25 HP & less than 1,050 lbs lift capacity



CUSTOMER APPROVAL :

DATE :



THIS DRAWING, WHICH CONTAINS PROPRIETARY INFORMATION, IS THE PROPERTY OF JAMESTOWN ADVANCED PRODUCTS CORPORATION. IT SHALL NOT BE REPRODUCED IN ANY MANNER NOR DISCLOSED TO THIRD PARTIES WITHOUT WRITTEN PERMISSION OF JAMESTOWN ADVANCED PRODUCTS CORPORATION.

DATE : **07/27/2022**

PRODUCT PART NUMBER : **HI-I-SCG-JD-54**

REV. NO.

PRODUCT DESCRIPTION : **INDEPENDENCE -
SUB COMPACT GRAPPLE - JOHN DEERE**

2855 GIRTS ROAD
JAMESTOWN, NY 14701